

## &lt;Photo&gt; Other topics

## Maintenance of the facilities

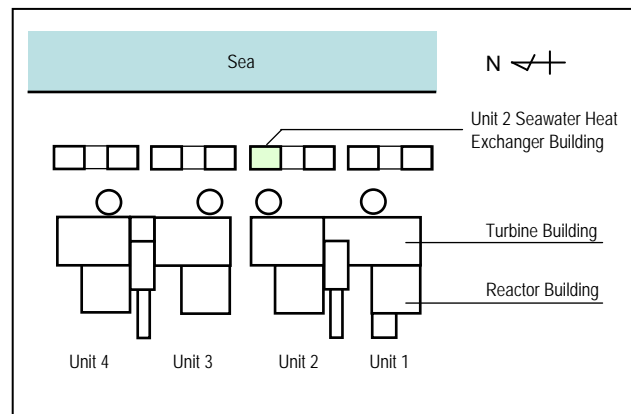
For equipment such as residual heat removal equipment cooling system with which recovery was completed, in addition to daily patrol and inspection, the soundness is checked using "new diagnosis technologies (vibration, temperature, oil analysis, etc.) and protection activities are provided if necessary.

By continuously monitoring each equipment's status and maintaining the equipment appropriately, problems are prevented before occurring and cooling shutdown status of the station is further stabilized.

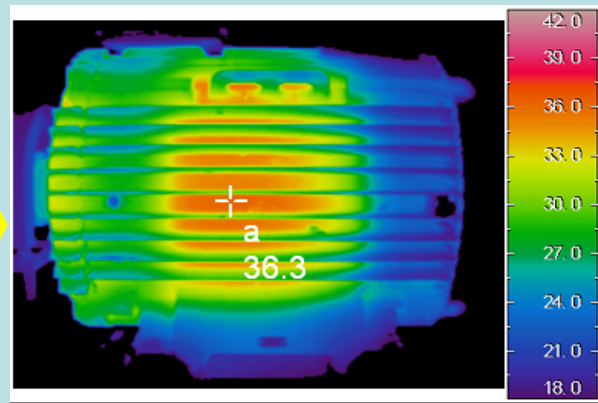
The photos below show the equipment diagnosis of emergency diesel generator cooling system pump (A) for Unit 2 conducted on March 28. The results confirmed that there was no problem with the equipment.



**Vibration diagnosis**  
(Photo on March 28, 2012)



**Infrared thermography diagnosis**  
(Photo on March 28, 2012)



**Measurement data**  
(Photo on March 28, 2012)



**Lubricant diagnosis**  
(Photo on March 28, 2012)



**Analysis of sample lubricant**  
(Photo on March 28, 2012)

<Photo> Other topics

Fire prevention measures (preventive sprinkling)

During the period from March to April when forest fire tends to occur, the station takes preventive measures against large scale fires around the premises. Specific contents are shown as below:

- (1) Installation and maintenance of firebelt
  - Roads, empty lots, and rivers in/outside the premises are specified as firebelt, and preventive sprinkling points are set based on the vegetation condition. Moreover, underbrush was removed from the perspective to improve fire spread prevention capability.
- (2) Preventive sprinkling
  - Regular sprinkling is conducted to the firebelt around the station premises. Sprinkling is also conducted according to the climate conditions and wind direction with which forest fires tend to occur.
- (3) Early detection of fires by monitoring, etc.

The photos below show the sprinkling conducted within the station premises on March 16 and 29 .



Sprinkling within the station premises (1)  
(Photo on March 16, 2012)



Sprinkling within the station premises (2)  
(Photo on March 16, 2012)



Sprinkling within the station premises (3)  
(Photo on March 29, 2012)