

Overview of fault investigation regarding Yunodake fault

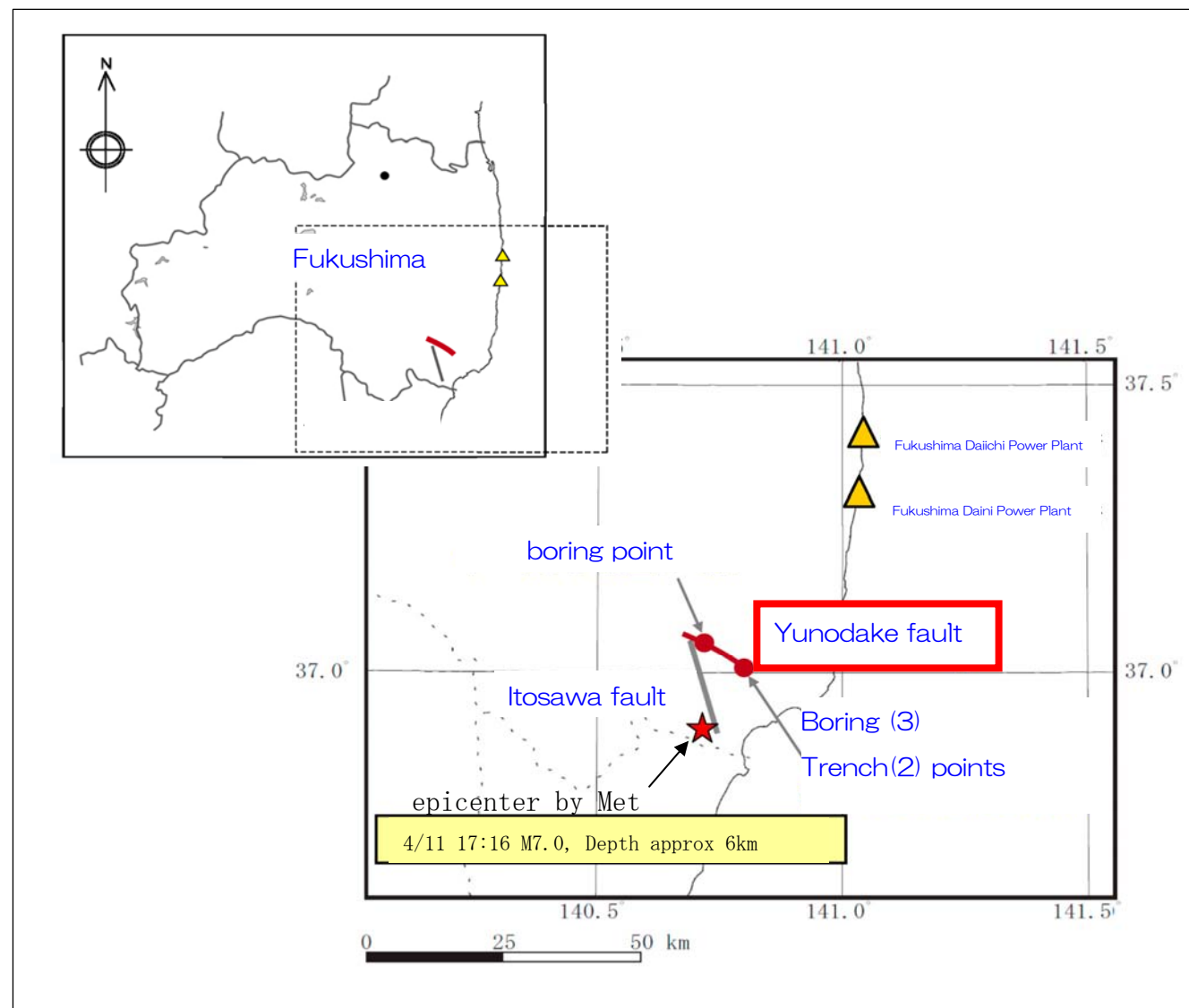
1. Objective

We confirmed that a normal type of earthquake fault appeared along Yunodake Fault which had not been considered as an active fault in our seismic design after the earthquake on April 11th (M7.0). In order to survey the past activities of Yunodake Fault and study the causes and mechanism by which an earthquake fault appeared, we will start boring and trenching survey.

2. Overview

(1) Scope

Scope is as shown below



(2) Schedule

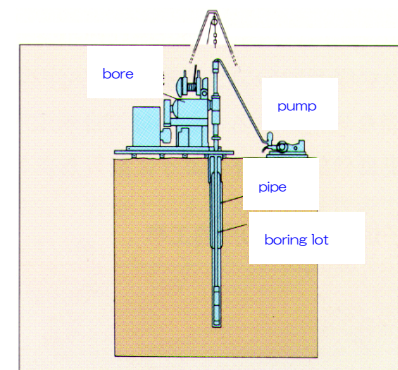
From 29th September 2011 to late November 2011

(3) Investigation Method

We conduct boring and trench investigation to survey the past activities of Yunotake Fault.

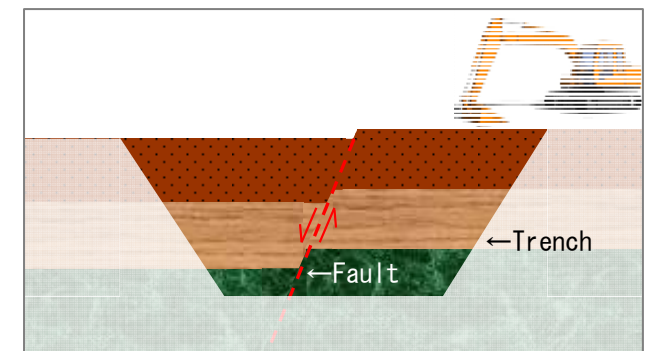
<Boring Survey>

Investigate the geologic situation by taking core continuously at several points.



<Trench Survey>

Trench is dug across fault. We observe geological condition of fault part and its surroundings which appear on wall surface of the fault and survey past activity of the fault.



3. Item / Amount / Schedule

Item	Amount	Sep	Oct	Nov	Dec
Boring	4 points		[Bar]		
Trench	2 points			[Bar]	

(*) Schedule is subject to change due to investigation status