

June 8th, 2011

The Tokyo Electric Power Company

Regarding the result of investigation in relation to the undisclosed monitoring data at Fukushima Daiichi Nuclear Power Station

With regards to the summary and revision of the data during March 11 to March 21, which were disclosed on May 28th, we will report the result of the investigation of the reason that part of the monitoring data were not disclosed on our website, and the reason that why it took so much time until the statement this time.

The summary as at statement on May 28th is stated below.

Regarding the data around monitoring post #4

① the reason that the data is shown only from 19:00, March 13

Those data was included as a new data on March 12, but, as the standard of disclosure was uncertain at that time, we did not disclose these data. However, on March 13, as it was pointed out internally, we disclosed those data from 9:00 am of that day after the shift change but did not disclosed past data.

② the reason that the most of the data from 6:31 am to 11:53 am, on March 14 is not disclosed

Due to the trouble of the monitoring vehicle, we could not take out those data. At a later date, we have obtained those data, but, there were poor communication internally.

Despite such circumstances where the monitoring system was not working due to the disaster, we have done every effort to disclose monitoring data. And, further, we have conducted the notification under the article 10 and article 15 of the Act on Special Measures Concerning Nuclear Emergency Preparedness and in addition, we have done every effort to report monitoring data to NISA.

1. Classification and cause of undisclosed data

Classification/Cause		Number of data	
(1)Data not reached to Head Quarter	①not send to liaison team at power station due to the chaos <throughout the period, especially for initial stage data>	87	351
	②not recognized at Head Quarter due to the lack of communication <throughout the period, especially for initial stage data>	198	
	③not transferred to liaison team at power station due to the trouble of the monitoring car <Data around MP4 2011/3/14 6:31 - 8:53>	66	
(2)Data not disclosed by Head Quarter	①not disclosed on the website due to the uncertainty of the disclosure standard < Data around MP4 2011/3/12 15:13~2011/3/13 8:58>	401	422
	②simple mistake	21	
(3)exempted from disclosure as the data was not in the form of 10 minutes records <Data around MP4 after 2011/3/13 9:00>		526	

(4)the confirmation of the data by liaison team of the power station was delayed until after May due to the trouble of the instrument of monitoring vehicle
 <Data around MP4 2011/3/14 6:25~11:53>

83

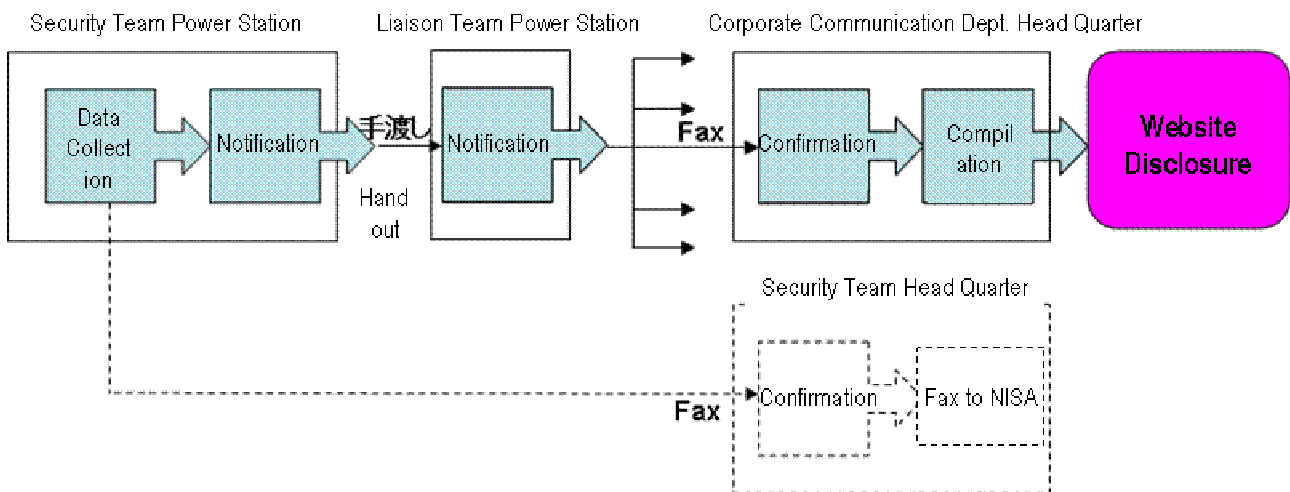
2. Reason of the delay to further disclosure of monitoring data

- delay of the awareness that the data was lacking for a certain period
- due to the initial chaos after the disaster, as the record keeping of communication log of the fax machine was poor for both Head Quarter and Power Station, took too much time in gathering relevant information and confirmation was needed every time when such information was found.
- most of bulk data was in the form of hand written records and consistency check with database had been conducted manually
- all the data was finally collected from the instrument of the monitoring vehicle which was send Kashiwazaki Kariwa Nuclear Power Station at early May

3. Result of confirmation of the data after Mar 22

- In parallel with the investigation, we have reviewed the data during Mar 22 and June 1, those data after the transfer by fax machine was stopped, and we found 102 data which are necessary for adjustment due to the difference of the rounding figures program and we will collect these data.
- Though there are no misstatement on the website, there were 9 miss-input of the data at power station and we will collect these data.

<reference> the work flow until disclosure on the website



Some data are not eligible for disclosure

End