

Damages to inhouse power supply facilities at Fukushima Daiichi Nuclear Power Station (after Tsunami)

This chart is summerlized based on the interviews to TEPCO employees of their observation at site patrol and investigation of damages on inhouse power supply facilities.

Unit 1 & 2											Unit 3 & 4											Unit 5 & 6												
Equipment	Place	Floor	Availability	Status	Equipment	Place	Floor	Availability	Status	Equipment	Place	Floor	Availability	Status	Equipment	Place	Floor	Availability	Status	Equipment	Place	Floor	Availability	Status	Equipment	Place	Floor	Availability	Status					
Startup Trans	STr(1S)	Trans. Yard	ground level	unknown	break the waters	STr(2S)	Trans. Yard	ground level	unknown	break the waters insulator and attachment parts damaged	Startup Trans	STr(3SA)	Trans. Yard	ground level	unknown	confirmation impossible (Note1)	STr(3SB)	Trans. Yard	ground level	unknown	confirmation impossible (Note1)	Startup Trans	STr(5SA)	Trans. Yard	ground level	-	STr(5SB)	Trans. Yard	ground level	-	-			
Cable	OF Cable (Switching Stn ~ STr(1S))	-	under ground	unknown	some visually fine	OF Cable (Switching Stn ~ STr(2S))	-	under ground	unknown	confirmation impossible (Note2)	Cable	CV Cable (Switching Stn ~ STr(3SA))	-	under ground	-	under construction	OF Cable (Switching Stn ~ STr(3SB))	-	under ground	unknown	confirmation impossible (Note2)	Cable	CV Cable (Switching Stn ~ STr(5SA))	-	under ground	-	CV Cable (Switching Stn ~ STr(5SB))	-	under ground	-	-			
Unit 1					Unit 2					Unit 3					Unit 4					Unit 5					Unit 6									
Equipment	Place	Floor	Availability	Status	Equipment	Place	Floor	Availability	Status	Equipment	Place	Floor	Availability	Status	Equipment	Place	Floor	Availability	Status	Equipment	Place	Floor	Availability	Status	Equipment	Place	Floor	Availability	Status	Equipment	Place	Floor	Availability	Status
DG	DG 1A	T/B	B1FL	×	submerged	DG 2A	T/B	B1FL	×	submerged	DG	DG 3A	T/B	B1FL	×	submerged	DG 4A	T/B	B1FL	×	submerged (under const.)	DG	DG 5A	T/B	B1FL	×	Assoc. Equipment (Exciter) submerged	DG 6A	C/S	B1FL	×	Associated Equipment (Sea Water Pump) break the waters		
	DG 1B	T/B	B1FL	×	submerged	DG 2B	common pool	1FL	×	M/C submerged N/A		DG 3B	T/B	B1FL	×	submerged	DG 4B	common pool	1FL	×	M/C submerged N/A		DG 5B	T/B	B1FL	×	Assoc. Equipment (Exciter) submerged	DG 6B	DGB/D	1FL	-	-		
	-	-	-	-	-		-	-	-	-		-	-	-	-		-	-	-	-		-	-	-	-	HPCSD/G	C/S	B1FL	×	Associated Equipment (Sea Water Pump) break the waters				
Emergency High Voltage Switchboard (M/C)	M/C 1C	T/B	1FL	×	break the waters	M/C 2C	T/B	B1FL	×	submerged	Emergency High Voltage Switchboard (M/C)	M/C 3C	T/B	B1FL	×	submerged	M/C 4C	T/B	B1FL	×	submerged (cheking)	Emergency High Voltage Switchboard (M/C)	M/C 5C	T/B	B1FL	×	submerged	M/C 6C	C/S	B2FL	-	-		
	M/C 1D	T/B	1FL	×	break the waters	M/C 2D	T/B	B1FL	×	submerged		M/C 3D	T/B	B1FL	×	submerged	M/C 4D	T/B	B1FL	×	submerged		M/C 5D	T/B	B1FL	×	submerged	M/C 6D	C/S	B1FL	-	-		
	-	-	-	-	-	M/C 2E	common pool	B1FL	×	submerged		-	-	-	-	M/C 4E	common pool	B1FL	×	submerged		-	-	-	-	HPCS DG M/C	C/S	1FL	-	-				
Regular High Voltage Switchboard (M/C)	M/C 1A	T/B	1FL	×	break the waters	M/C 2A	T/B	B1FL	×	submerged	Regular High Voltage Switchboard (M/C)	M/C 3A	T/B	B1FL	×	submerged	M/C 4A	T/B	B1FL	×	submerged	Regular High Voltage Switchboard (M/C)	M/C 5A	C/B	B1FL	×	submerged	M/C 6A-1	T/B	B1FL	×	submerged		
	M/C 1B	T/B	1FL	×	break the waters	M/C 2B	T/B	B1FL	×	submerged		M/C 3B	T/B	B1FL	×	submerged	M/C 4B	T/B	B1FL	×	submerged		M/C 5B	C/B	B1FL	×	submerged	M/C 6A-2	T/B	B1FL	×	submerged		
	M/C 1S	T/B	1FL	×	break the waters	M/C 2SA	M/C 2SA B/D	1FL	×	submerged		M/C 3SA	C/B	B1FL	×	submerged	-	-	-	-	-		M/C 5SA-1	C/B	B1FL	×	submerged	-	-	-	-	-		
						M/C 2SB	T/B	B1FL	×	submerged		M/C 3SB	C/B	B1FL	×	submerged	-	-	-	-	-		M/C 5SA-2	C/B	B1FL	×	submerged	-	-	-	-	-		
																-	-	-	-	-		M/C 5SB-1	C/B	B1FL	×	submerged	-	-	-	-	-			
																-	-	-	-	-		M/C 5SB-2	C/B	B1FL	×	submerged	-	-	-	-	-			

Availability : Based on the judgement by TEPCO employee at site
 break the waters : taint of water observed
 submerged : water observed inside or submerged
 × : equipment unavailable to use
 □ (yellow) : unavailable to receiving power due to unavailability of up-stream power supply

T/B : Turbine Building
 C/B : Control Building
 C/S : Combined Reactor Building

note1: because of high radiation
 note2: because of submergence of equipment

Damages to inhouse power supply facilities at Fukushima Daiichi Nuclear Power Station (after Tsunami)

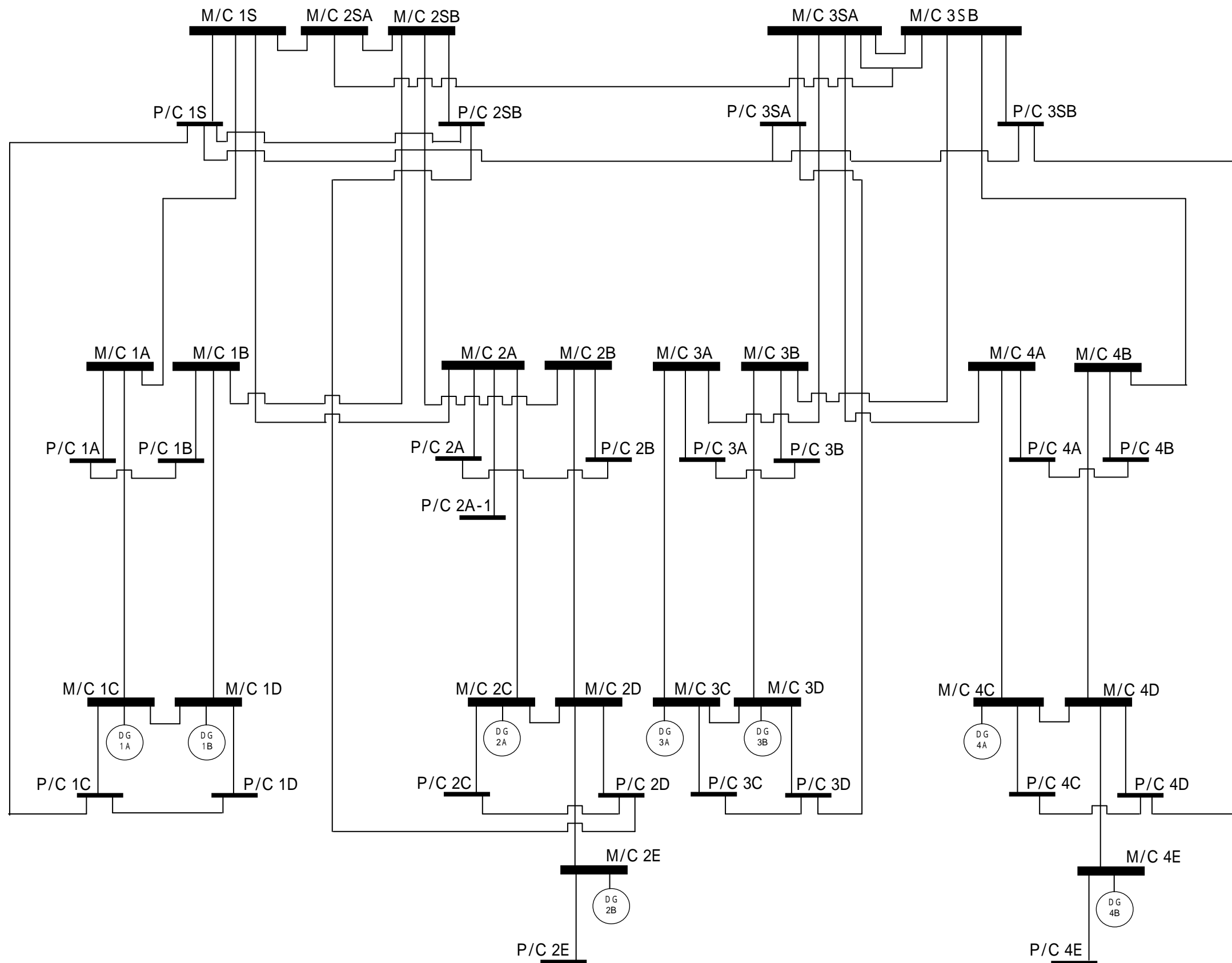
This chart is summerized based on the interviews to TEPCO employees of their observation at site patrol and investigation of damages on inhouse power supply facilities.

	Unit 1 & 2										Unit 3 & 4										Unit 5 & 6									
	Equipment	Place	Floor	Availability	Status	Equipment	Place	Floor	Availability	Status	Equipment	Place	Floor	Availability	Status	Equipment	Place	Floor	Availability	Status	Equipment	Place	Floor	Availability	Status	Equipment	Place	Floor	Availability	Status
Emergency Power Center (P/C)	P/C 1C	C/B	B1FL	×	submerged	P/C 2C	T/B	1FL		break the waters on base part	P/C 3C	T/B	B1FL	×	submerged	P/C 4C	T/B	1FL	-	under construction	P/C 5C	T/B	B1FL	×	break the waters	P/C 6C	C/S	B2FL		-
	P/C 1D	C/B	B1FL	×	submerged	P/C 2D	T/B	1FL		break the waters on base part	P/C 3D	T/B	B1FL	×	submerged	P/C 4D	T/B	1FL		-	P/C 5D	T/B	B1FL	×	break the waters	P/C 6D	C/S	B1FL		-
	-	-	-	-	-	P/C 2E	Common Pool	B1FL	×	submerged	-	-	-	-	-	P/C 4E	Common Pool	B1FL	×	submerged	-	-	-	-	-	P/C 6E	DG B/D	B1FL		-
Regular Power Center (P/C)	P/C 1A	T/B	1FL	×	break the waters	P/C 2A	T/B	1FL		break the waters on base part	P/C 3A	T/B	B1FL	×	submerged	P/C 4A	T/B	1FL	-	under construction	P/C 5A	C/B	B1FL	×	break the waters	P/C 6A-1	T/B	B1FL	×	break the waters
						P/C 2A-1	T/B	B1FL	×	submerged	-	-	-	-	-	-	-	-	-	-	P/C 5A-1	T/B	2FL		-	P/C 6A-2	T/B	B1FL	×	break the waters
	P/C 1B	T/B	1FL	×	break the waters	P/C 2B	T/B	1FL		break the waters on base part	P/C 3B	T/B	B1FL	×	submerged	P/C 4B	T/B	1FL		-	P/C 5B	C/B	B1FL	×	break the waters	P/C 6B-1	T/B	B1FL	×	break the waters
	-	-	-	-	-	-	-	-	-	-	-	-	-	-	-	-	-	-	-	-	P/C 5B-1	T/B	2FL		-	P/C 6B-2	T/B	B1FL	×	break the waters
	P/C 1S	T/B	1FL	×	break the waters	-	-	-	-	-	P/C 3SA	C/B	B1FL	×	submerged	-	-	-	-	-	P/C 5SA	C/B	B1FL	×	break the waters	-	-	-	-	-
	-	-	-	-	-	-	-	-	-	-	-	-	-	-	-	-	-	-	-	-	P/C 5SA-1	T/B	B1FL	×	break the waters	-	-	-	-	-
	-	-	-	-	-	P/C 2SB	T/B	B1FL	×	submerged	P/C 3SB	C/B	B1FL	×	submerged	-	-	-	-	-	P/C 5SB	C/B	B1FL	×	break the waters	-	-	-	-	-
DC 125V	125V DC BUS-1A	C/B	B1FL	×	submerged	125V DC DIST CTR 2A	C/B	B1FL	×	submerged	DC125V Main BUS Panel 3A	T/B	MB1FL		-	DC125V Main BUS Panel 4A	C/B	B1FL	×	submerged	DC125V Main BUS Panel 5A	T/B	MB1FL		-	125V DC PLANT DISTR CENTER 6A	T/B	MB1FL		-
	125V DC BUS-1B	C/B	B1FL	×	submerged	125V DC DIST CTR 2B	C/B	B1FL	×	submerged	DC125V Main BUS Panel 3B	T/B	MB1FL		-	DC125V Main BUS Panel 4B	C/B	B1FL	×	submerged	DC125V Main BUS Panel 5B	T/B	MB1FL		-	125V DC PLANT DISTR CENTER 6B	T/B	MB1FL		-

Availability : Based on the judgement by TEPCO employee at site
 break the waters : taint of water observed
 submerged : water observed inside or submerged
 : equipment unavailable to use
 : unavailable to receiving power due to unavailability of up-stream power supply

T/B : Turbine Building
 C/B : Control Building
 C/S : Combined Reactor Building

Single Wire Circuit Diagram of Fukushima Daiichi Nuclear Power Station (Damage of Unit 1 to 4)



Single Wire Circuit Diagram of Fukushima Daiichi Nuclear Power Station (Damage of Unit 5 and 6)

