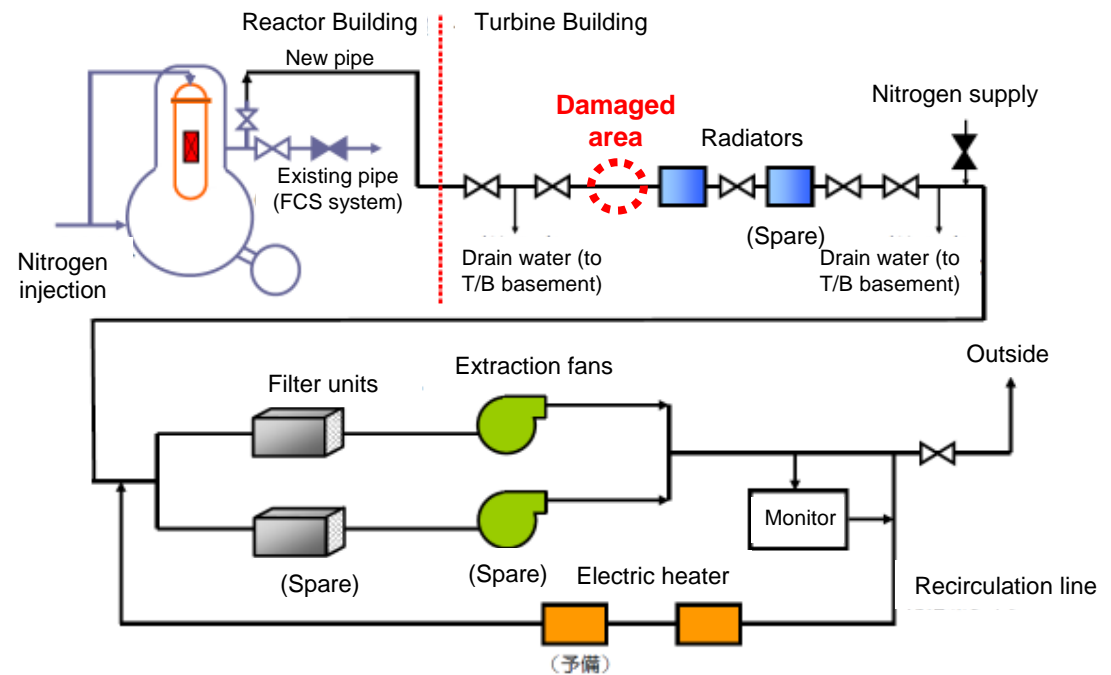
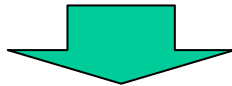
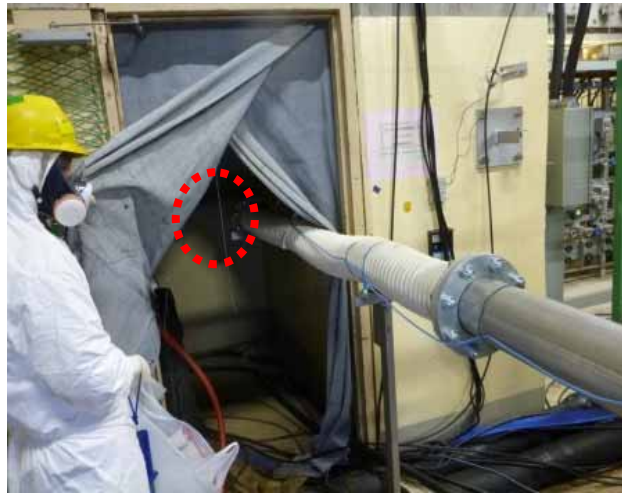


Duct Repair for Unit 3 PCV Gas Control System at Fukushima Daiichi Nuclear Power Station

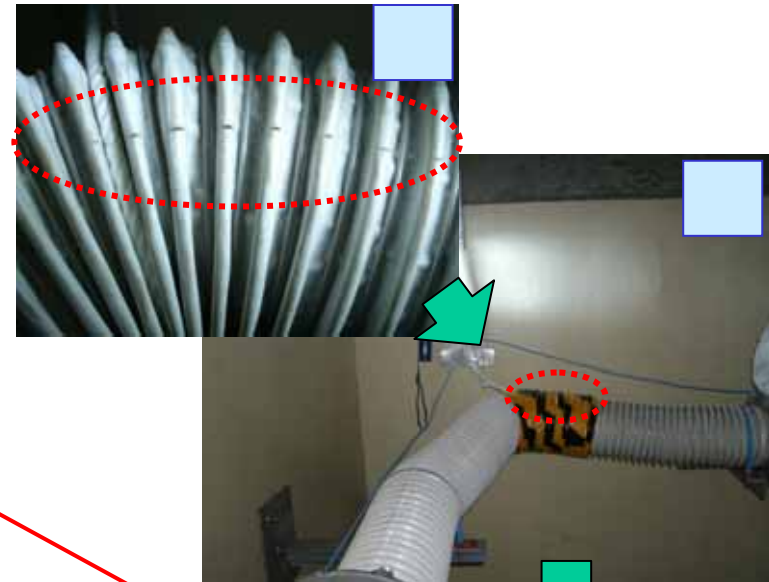
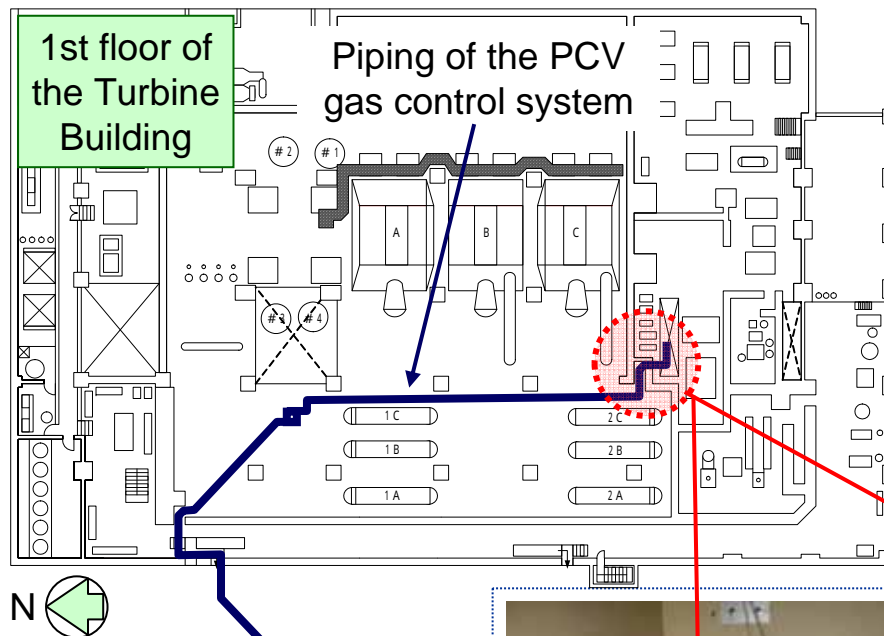
1. Duct damage (Occurred on June 19)



The damage is assumed to be caused by an external factor considering its shape and direction

(No damage was found in other locations in Unit 3.)

2. Measures taken so far



Damage found (June 19)
Emergency repair (June 19)
Protection applied (June 28)
[Current]



The duct has been replaced as the preparation was completed.
(all the necessary parts arrived)

3. Condition at the time of duct replacement

