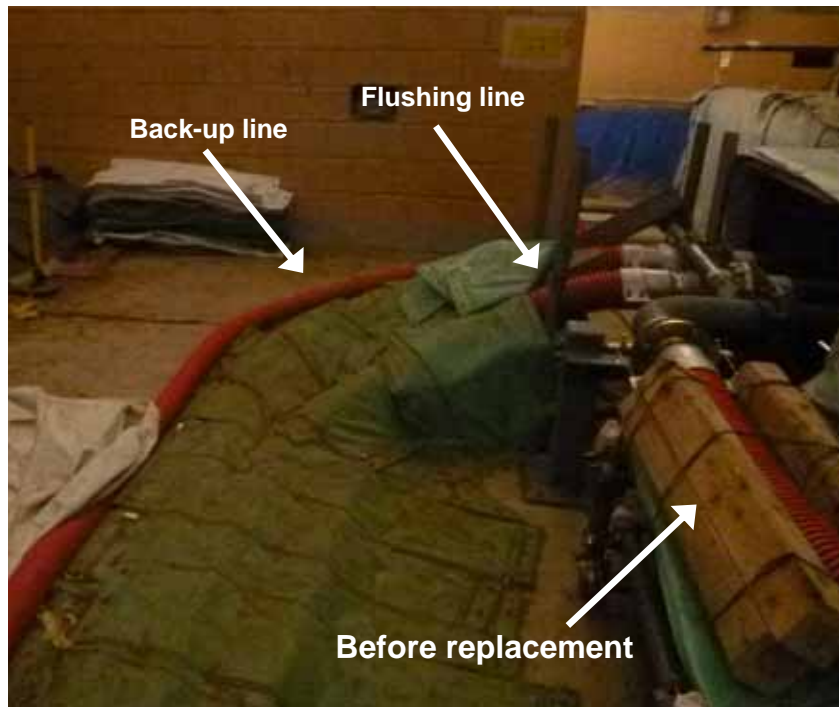


Reliability Improvement of the Second Cesium Absorption Apparatus

1. Replacement of pressure hose with steel pipe

The part of SARRY accumulated water treatment pipeline where pressure hose was used has been replaced with steel pipe* (Work carried out from August 8 to 10, 2012).



Before replacement



After replacement

*For the areas where the pressure hose will continue to be used, reliability improvement must be implemented based on the usage plan, etc.

2. Replacement of the Pressure Indicator Transmitter (PIT)

All the pressure indicator transmitters (PIT) (22 units) have been replaced (August 8-10, 2012).



Before replacement (PIT100B)



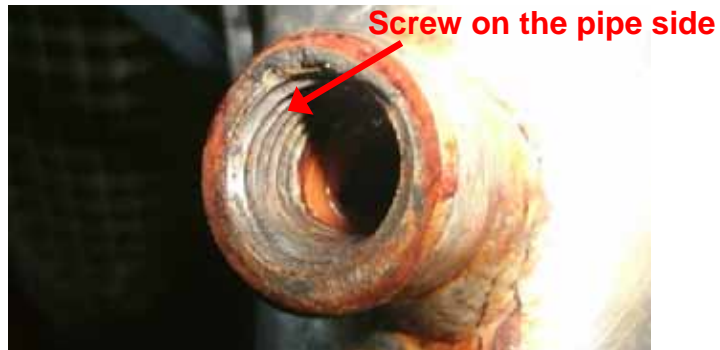
After replacement (PIT100B)

2. Replacement of the Pressure Indicator Transmitter (PIT)

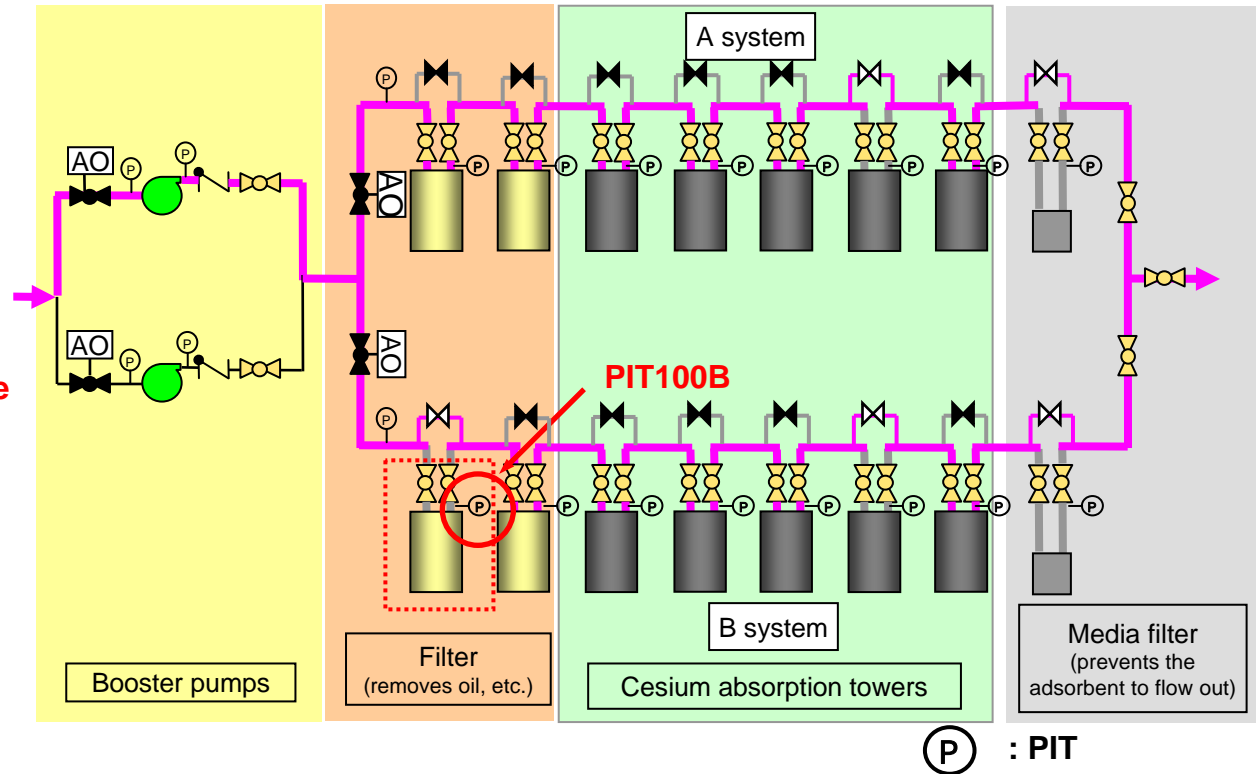
PIT replacement



PIT100B (Before replacement)



PIT100B installation area



Result (Cause and countermeasures)

- Though the screw of PIT (SUS303) was corroded, the screw on the pipe side (SUS316L) was not. The corrosion was found with other PITs as well.
- The corrosion of PIT screw is considered to be due to the high chloride ion concentration.
- All the PITs (SUS303) have been replaced with PITs (SUS316L) with improved corrosion resistance.