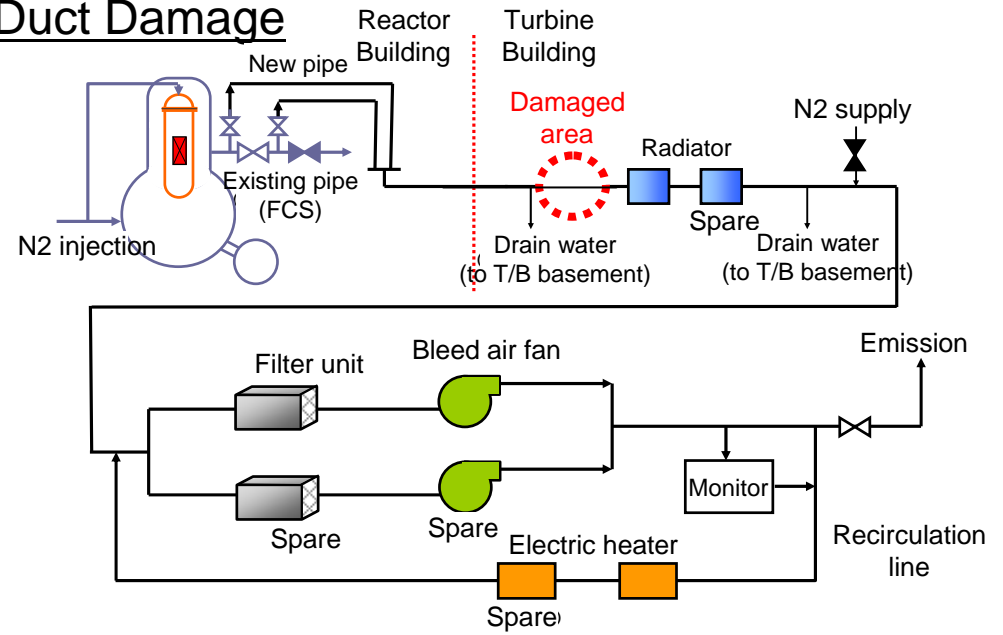
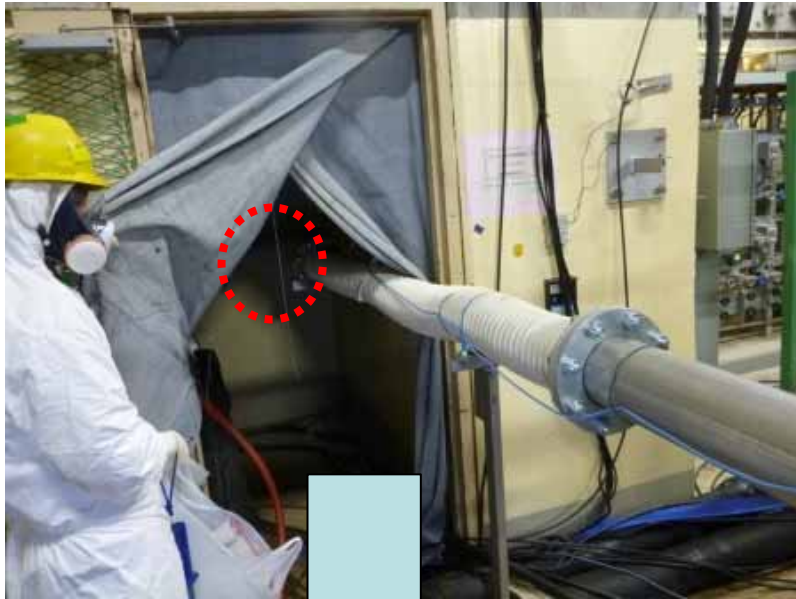


Fukushima Daiichi Nuclear Power Station Unit 3

< Reference >
June 19, 2012

Tokyo Electric Power Company

PCV Gas Control System Duct Damage



Outline drawing of the system structure

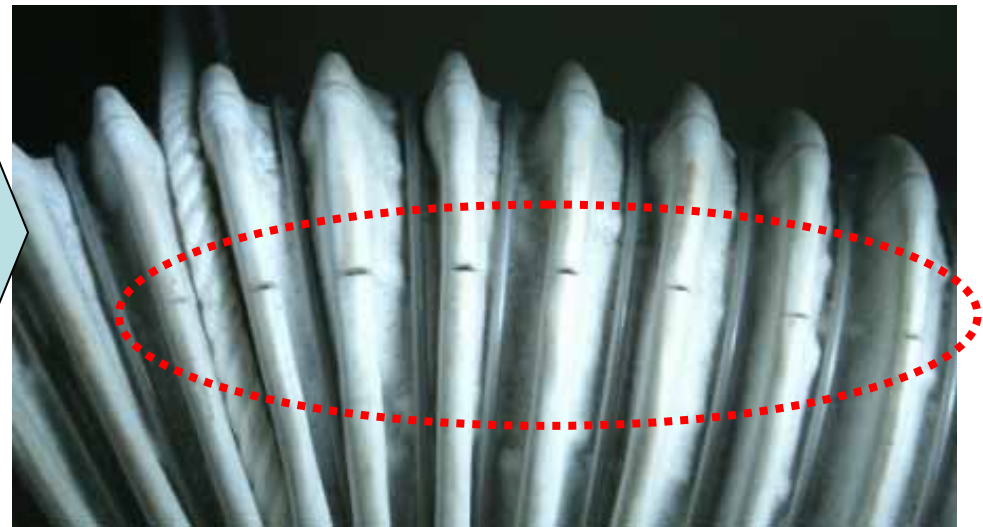
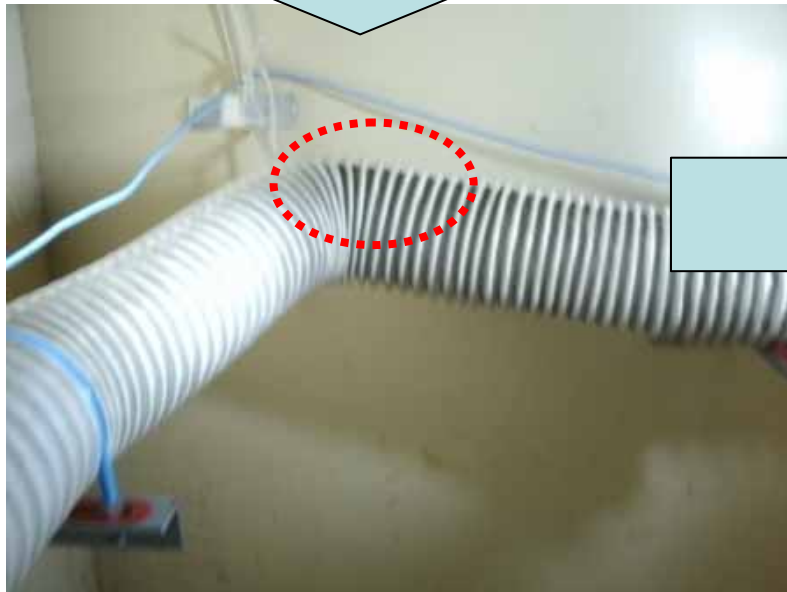


Photo taken by TEPCO on June 19, 2012