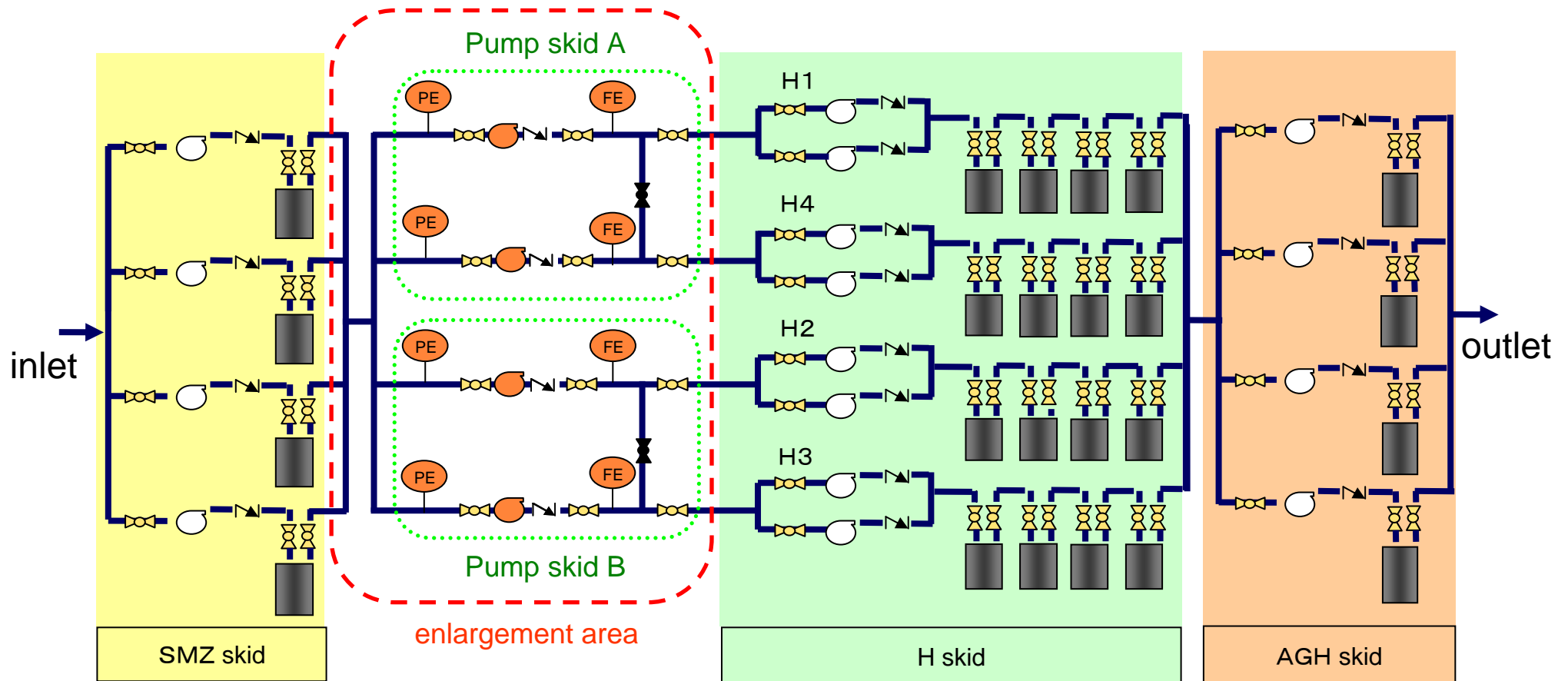


Reliability improvement work of Cesium adsorption apparatus

■ Purpose

Enlarge pump skids outside existing pump skids, to improve poor maintenance (replacement) workability of pumps within each skid of Cesium adsorption apparatus which were installed in the high radiation exposure and narrow areas.



■ Summary of the work

- Establish more external pumps
- Unitize pumps, valves and measuring instruments and store within the skid
- Install leakage detector in the skid

■ Work schedule (plan)

period : From May 15 to early June (estimate)

■ Equipment layout

