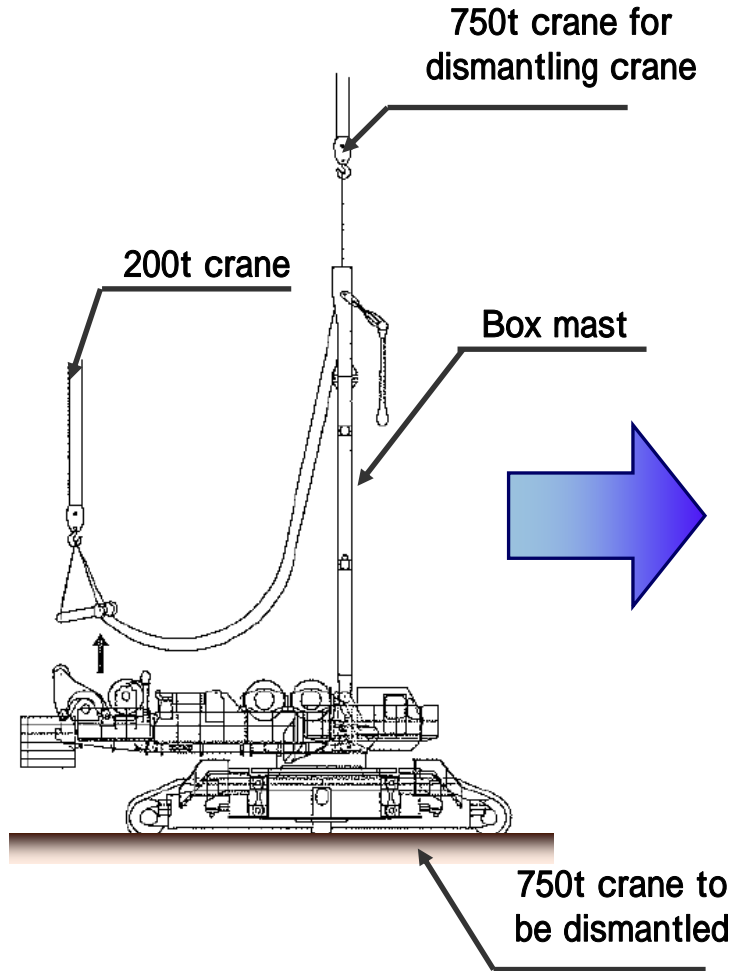


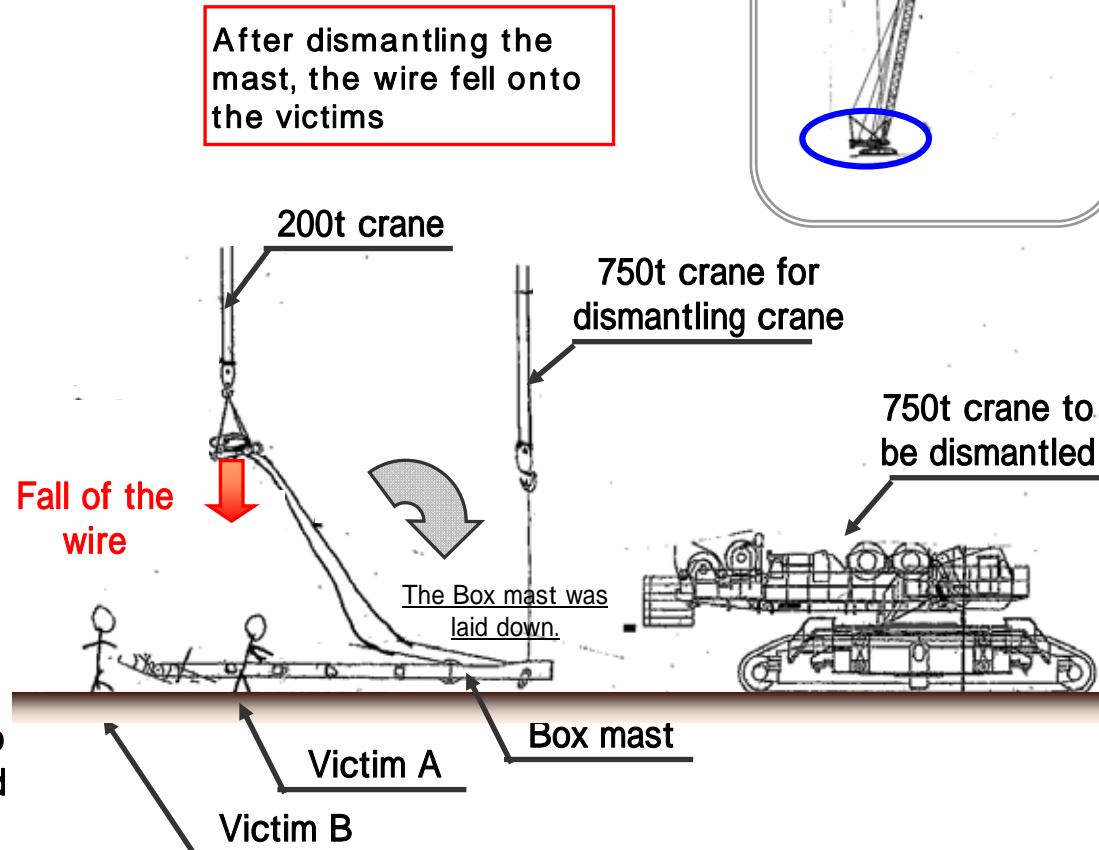
Circumstances of the accident when dismantling a large-size crane

<Reference >
October 29, 2011
Tokyo Electric Power Company

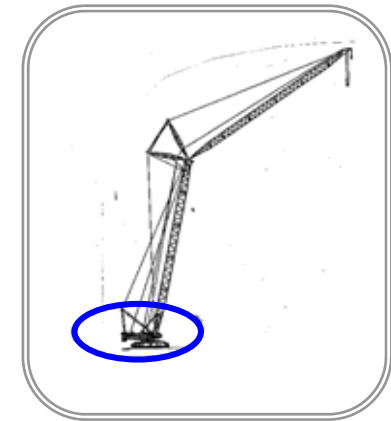
Circumstances of the work



After detaching the box mast,
the base machine was moved forward.



The fallen wire (28mm): Approx. 120 m (30m x 4)
take-up (432kg)



Picture take at the site



Wire 2.8mm
(Weight 432kg)

750t crane to be dismantled

Splitter
(Base for binding wires)

Box mast

Working place

Place where the crane was dismantled

Victim A
Victim B

Observer

Observer

Shallow draft quay

