

Gas Control System for Primary Containment Vessel,

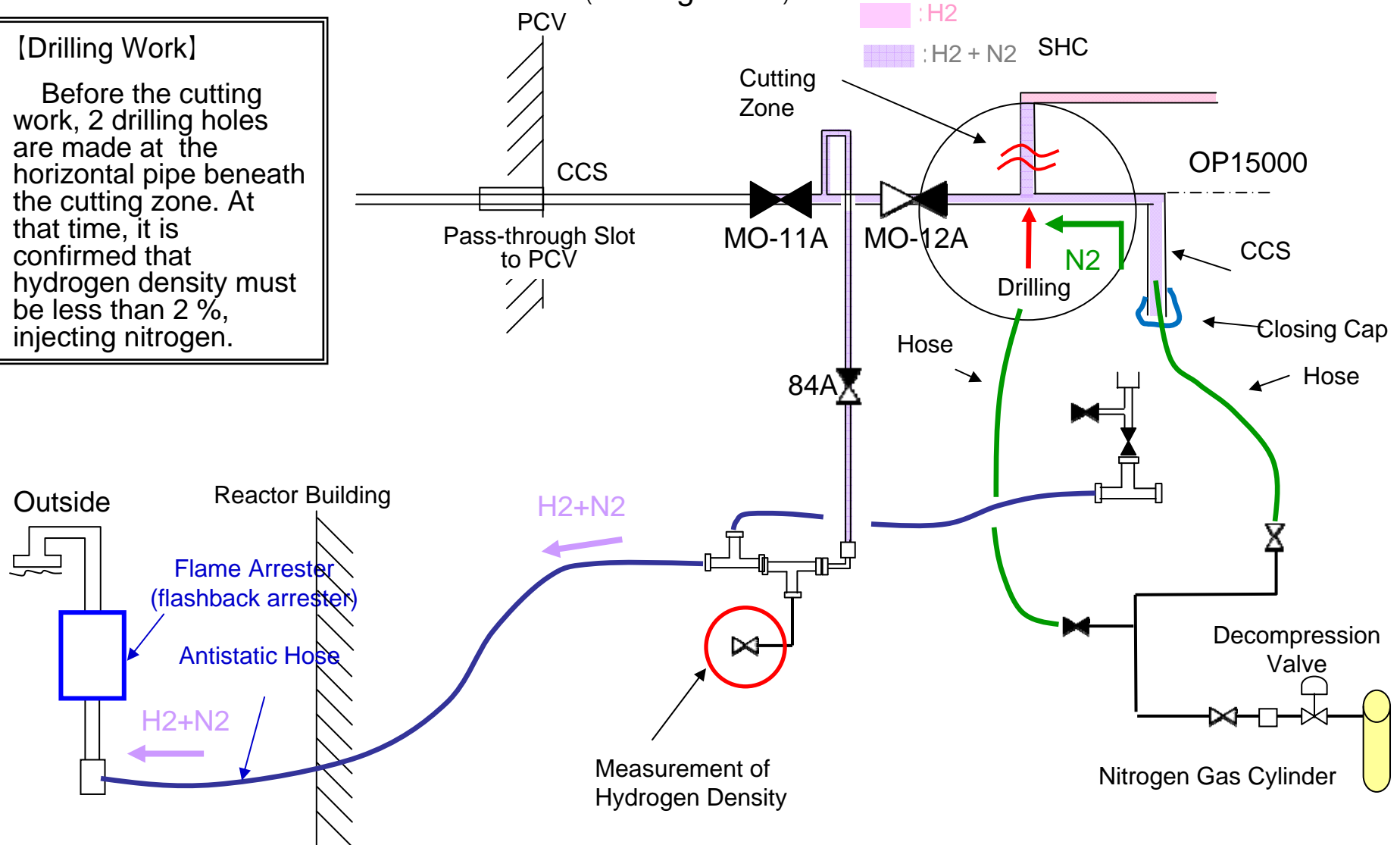
Unit 1, Fukushima Daiichi Nuclear Power Station

Tokyo Electric Power Company

Operation order for cutting connection pipe between Containment Cooling Spray System (CCS) and Shut-down Cooling System (SHC)

(Drilling Work)

[Drilling Work]
Before the cutting work, 2 drilling holes are made at the horizontal pipe beneath the cutting zone. At that time, it is confirmed that hydrogen density must be less than 2%, injecting nitrogen.



[Nitrogen Injection Work]

The hose inserting to the closing cap is pull out and nitrogen supply is stopped.

The closing cap is removed and valves and pipes are installed using a coupling (see the figure).

Injecting nitrogen, hydrogen density measurement is started at the cutting part of CCS pipe and the injection continues until the hydrogen density is less than 2 %.

(Nitrogen Injection Work before Cutting Work)

