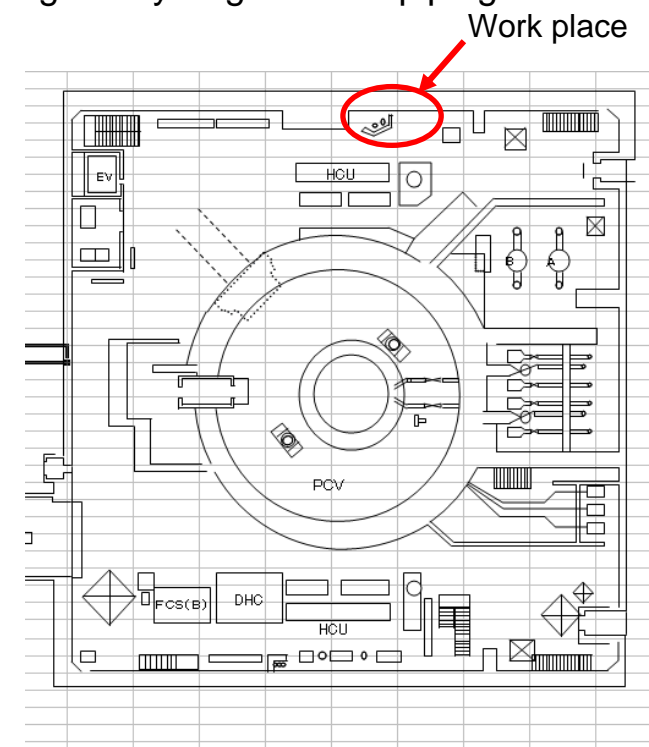
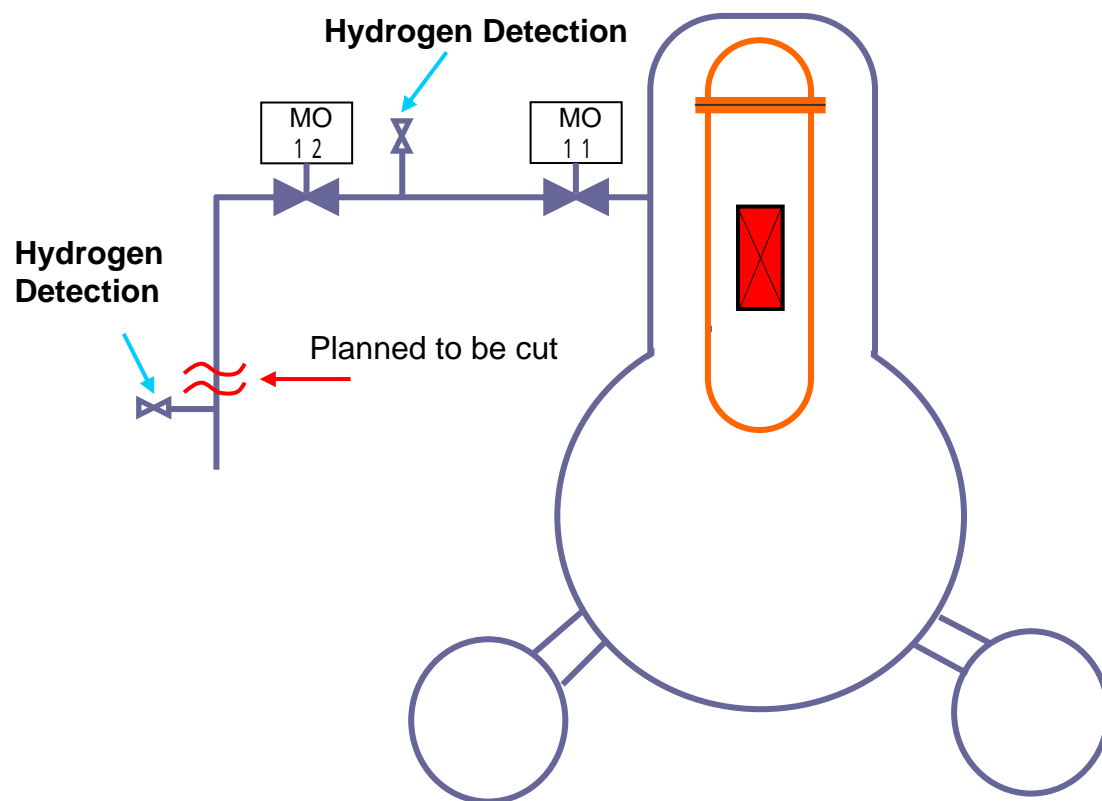


Detection of Hydrogen in the Piping of Spray System of Unit 1 Primary Containment Vessel

The piping of spray system was planned to cut in order to install the gas management system for the primary containment vessel of Unit 1

More than 10,000ppm concentration of hydrogen was detected by a hydrogen detector when we checked the gas in the piping before cutting it.

We will start cutting the piping after the safety is secured regarding the hydrogen in the piping.



1st floor of the
Reactor Building