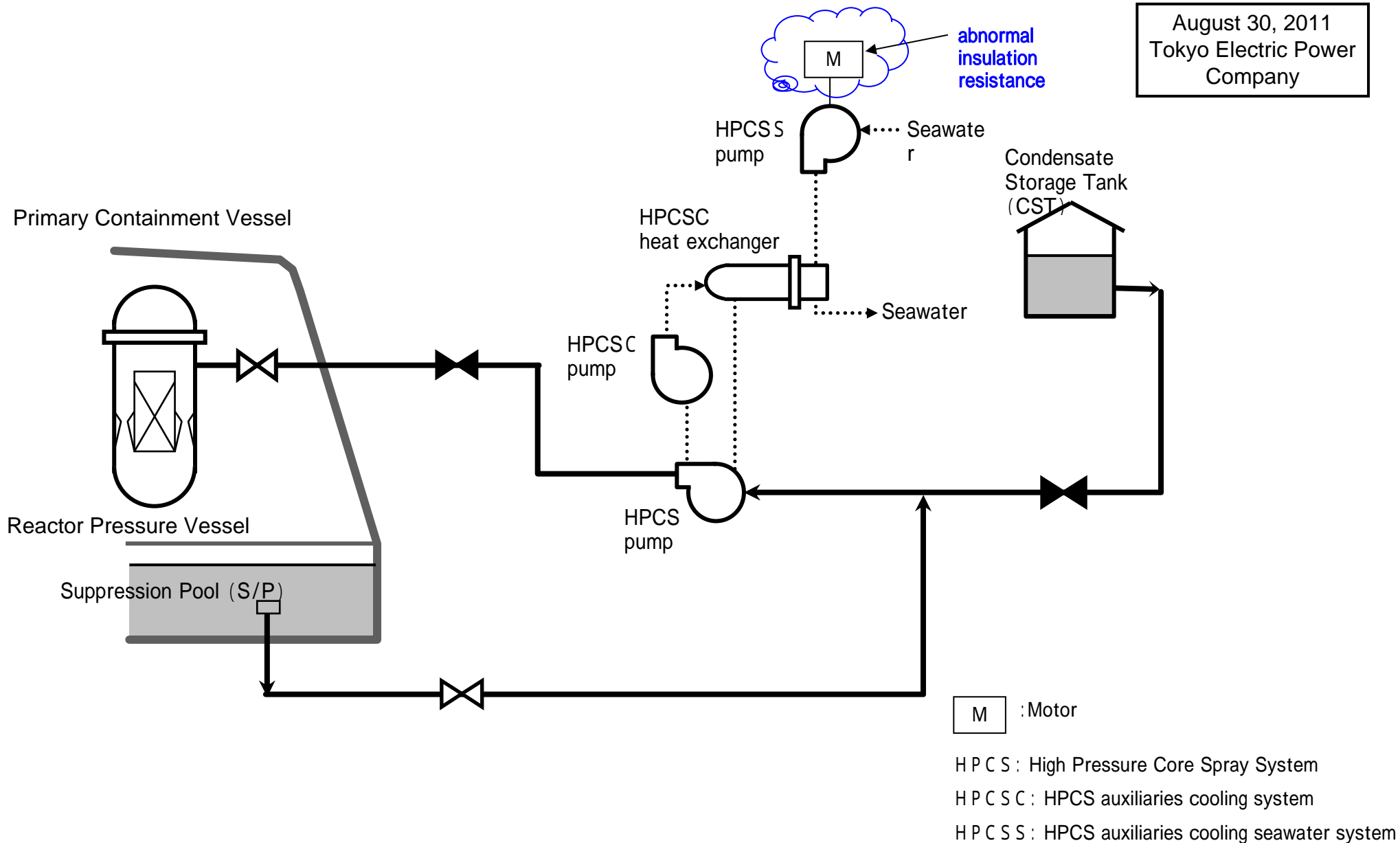


August 30, 2011  
Tokyo Electric Power  
Company



Outline drawing of High Pressure Core Spray System  
Unit2 of Fukushima Daini Nuclear Power Station