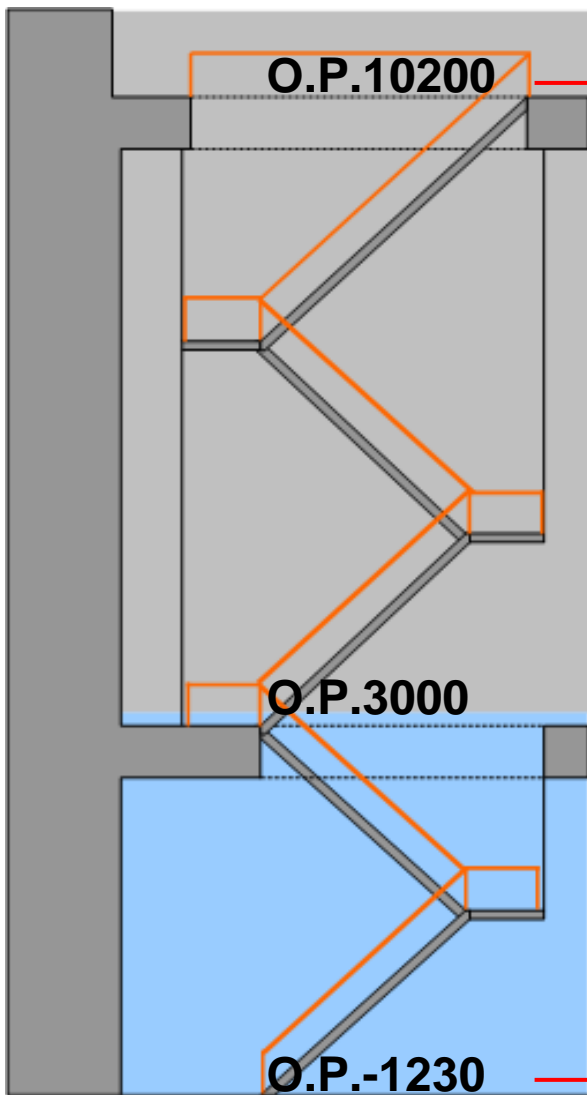
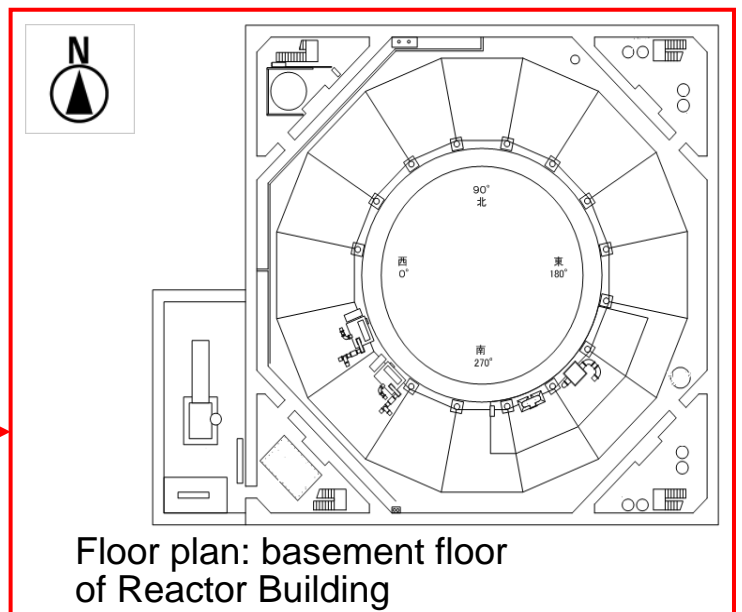
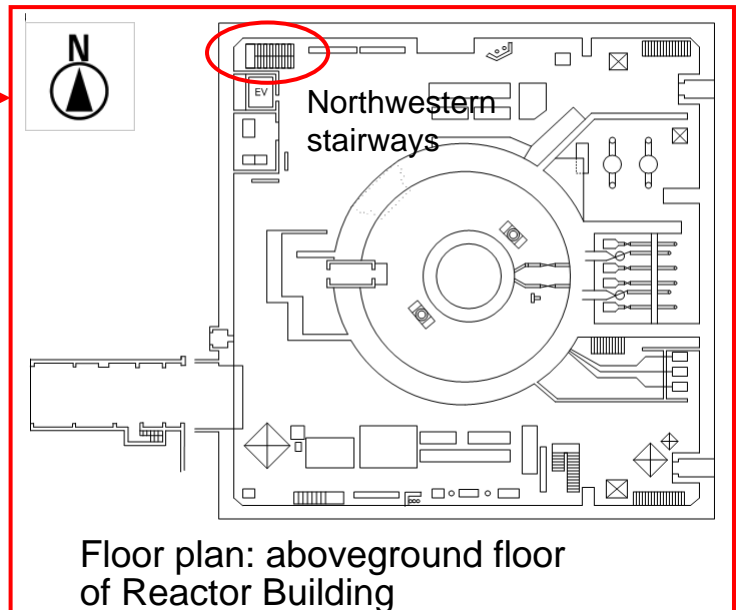


Unit 1 Status of leakage at Reactor Building



Cross-section view:
Northwestern stairways



From the slit next to stairway, it is possible to observe areas down to the middle-basement floor level (O.P.3000).

Water was confirmed at the point around O.P.3000.