

Reference
January 20, 2015
Tokyo Electric Power Company

**Regarding the fatal accident at Fukushima Daini NPS involving
a cooperative company employee working at Unit 1 and 2
Waste Treatment Facility (Radiation controlled area)**

1. Accident Overview

Date and time : Around 9:30 AM, January 20, 2015

Site : 5th Floor at Unit 1 and Unit 2 Waste Treatment Facility (Radiation controlled area)

Accident occurrence : When preparation for inspection of concentration apparatus was conducted at the site, one of the worker from a cooperative company loosened the bolt of inspection device (cylindrical shape, bolt-fixed type) which is attached to inspection table (rectangular shape). The device began to spin and the worker's head apparently got caught. When the accident occurred, the worker was unconscious (Bleeding from the head)

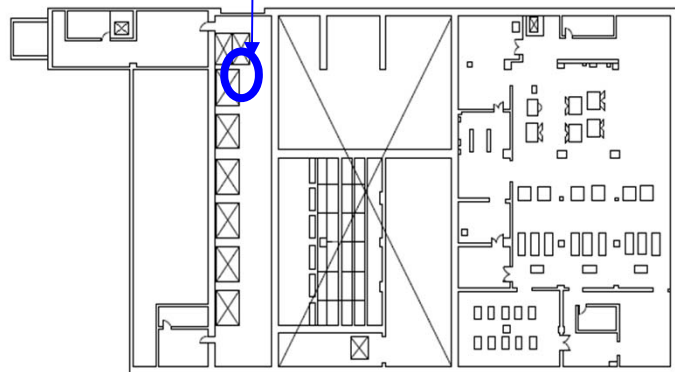
Timeline

Around :9:00 AM	Departed from the office to the site.
9:30	Accident occurred.
9:37	Called ambulance.
9:42	Transported to the emergency medical room.
9:52	Emergency medical helicopter was requested by the Futaba Fire-Defense Head-quarters.
10:48	Departed to Iwaki Kyouritsu Hospital
11:20	Arrived at the Hospital
11:57	Death of the worker was confirmed by Doctor

2. Accident site

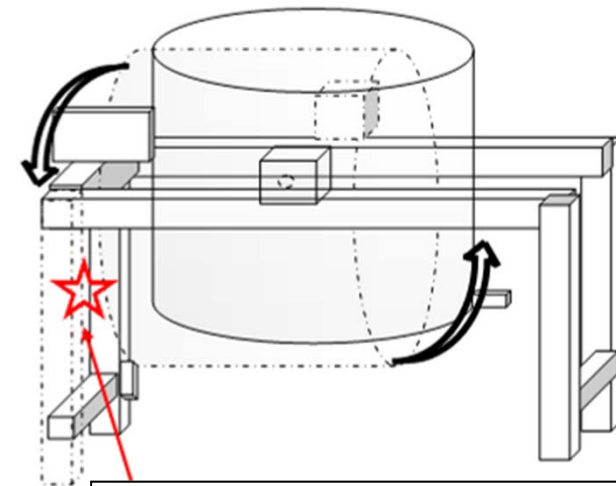


Unit 1 and 2 Waste Treatment Facility Site layout.

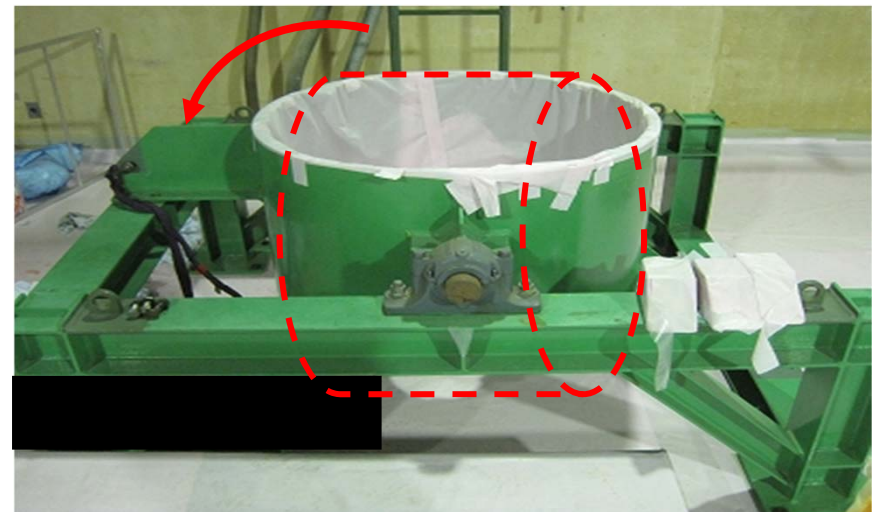


Unit 1 Unit 2 Waste Treatment Facility 5th Floor Site layout

Accident site



The worker got his head caught around here



3: Responses to the accident

In response to the tragic accident, the following measures have been reinforced among the workers, operators, and employees at the site as well as each cooperative company.

- Adhere to and carry out basic actions thoroughly
- Strict compliance with the work procedures
- Each worker to personally focusing on the job they are engaged