

Water Leakage from the Washing Tank of RO Apparatus for Unit 5 and 6 at Fukushima Daiichi NPS

< Confirmation date >

Approx. at 3:20 PM on September 12, 2013

< Leakage location >

At the washing tank of RO apparatus installed outside Unit 5 and 6

< Details of the situation >

- A TEPCO employee on patrol found water leakage from the washing tank of RO apparatus installed outside Unit 5 and 6, therefore immediately stopped the operation of RO apparatus, and confirmed no more water leakage.
- Water having leaked is water treated through RO apparatus, and almost the same as water used for water sprinkled on the site.
- Water having leaked was found over a range of approx. 2m×6m inside the trailer installed with RO apparatus. And the leaked water was found over a range of approx. 3m×3m×1mm from inside to outside the trailer.
- We judged no water leaked into sea, since there was no drainage nearby.
- Amount of leakage is estimated 0.065m³ (estimated from the leaking time and flow).

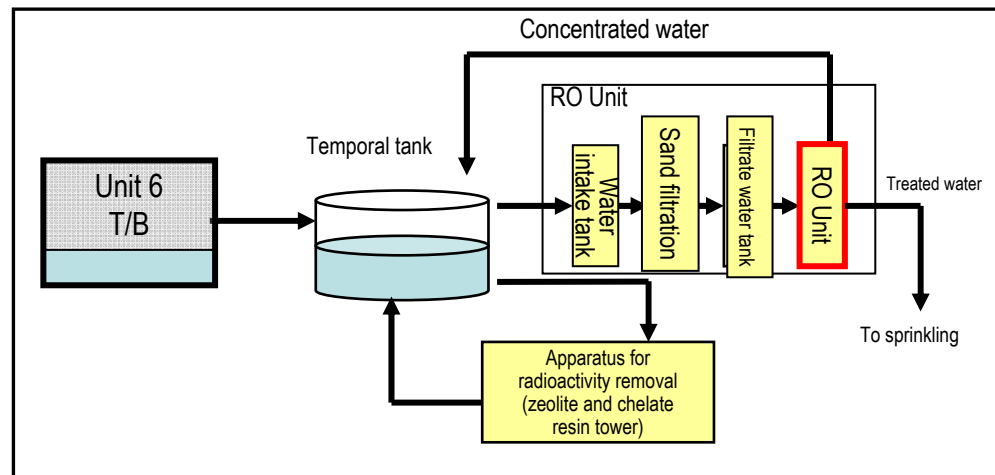
< Measurement result of nuclides analyses >

Cesium-134: Below the detection limit value (the detection value: $1.6 \times 10^{-3} \text{Bq/cm}^3$)

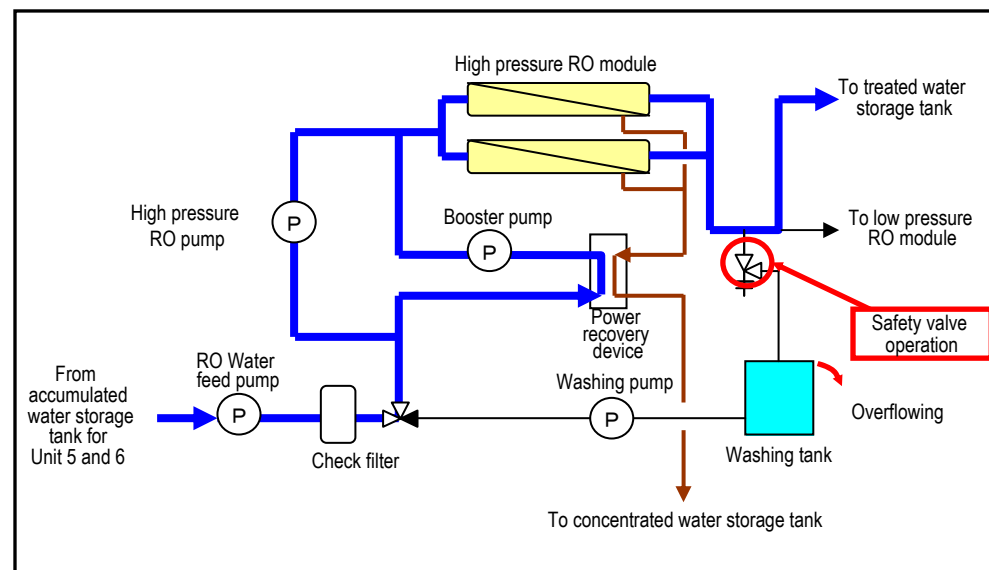
Cesium-137: $4.2 \times 10^{-3} \text{Bq/cm}^3$

All β : Below the detection limit value (the detection value : $1.4 \times 10^{-2} \text{Bq/cm}^3$)

■ Site overview



■ Structure overview of RO Unit



The point of overflowed (washing tank)



Appearance of RO Unit (vehicle-mount type)



dike

Leakage outside the trailer