

Confirmation of Reactor Water Injection by the CST Reactor Water Injection System Line of Unit 2 at Fukushima Daiichi Nuclear Power Station

July 4, 2013

Tokyo Electric Power Company



東京電力

1. Overview

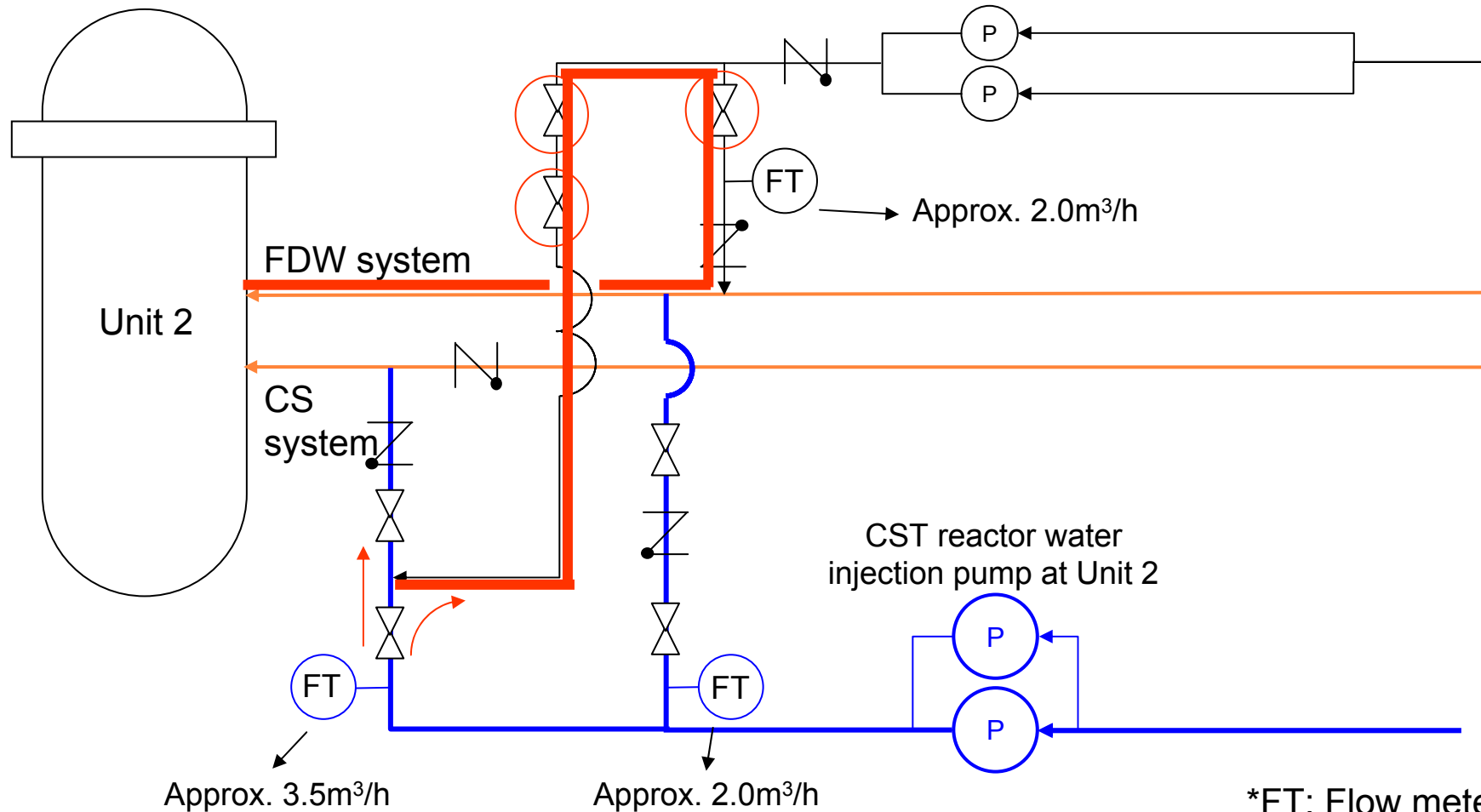
- Actual reactor water injection testing of the CST reactor water injection line* at the reactor water injection system has been in progress since July 2.
- The testing is continuously being carried out in sequence from Unit 1, and the testing at Unit 3 was performed today (July 4).
- Some water, which was supposed to be flowed in the core spray system, was found to be flowed in the Reactor via the reactor water injection system of Turbine Building and the feed water system, when the upland reactor water injection line was switched to the CST reactor water injection line before the testing.
- Therefore, the valve installed at the reactor water injection system of Turbine Building was restored to a normal condition, and the testing was restarted at Unit 3. The system at Unit 2 was found to be the same condition as Unit 3 as we checked the Unit 2, since the both systems have the same composition.
- The testing was completed at Unit 2 on July 3. The flowing amount of the core spray system was small and the flowing amount of the feed water system was large until July 4.
- The total flowing amount to the Reactor satisfied the technical specification, since the specified water injection amount was secured. No significant change was found on the PCV/RPV ambient temperature, etc.

*CST reactor water injection line: Reactor water injection line of which the water source is the Condensate Storage Tank (CST).

2. Overview of the systems

- : Route which was different from those originally intended
- : CST reactor water injection system (construction range for this time)

○: Valve of which the composition was different from those originally intended



*FT: Flow meter

3. Future Plan

- We have checked the composition of the valves at Unit 1-3 today (July 4).
- We will recover the status of the valve in order to restore the core spray system water injection line to a normal condition at Unit 2.
- Actual reactor water injection testing will be performed at Unit 2 tomorrow (July 5).
- Accordingly, applicable period of the technical specification, article 136, section 1 will be extended to July 5.

