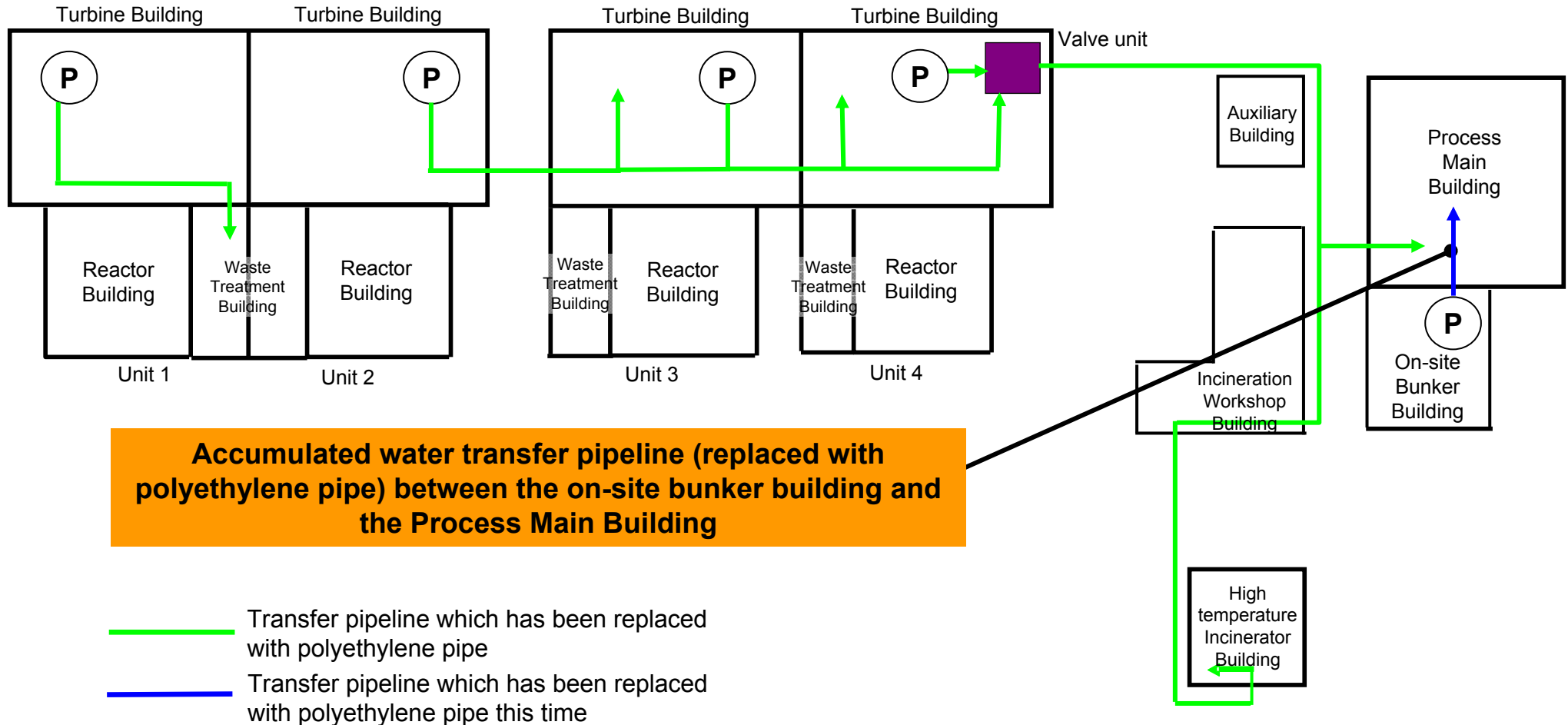


# Completion of Reliability Improvement Work for Accumulated Water Transfer Pipeline between the On-site Bunker Building and the Process Main Building at Fukushima Daiichi Nuclear Power Station

<Reference>

June 7, 2013

Tokyo Electric Power Company

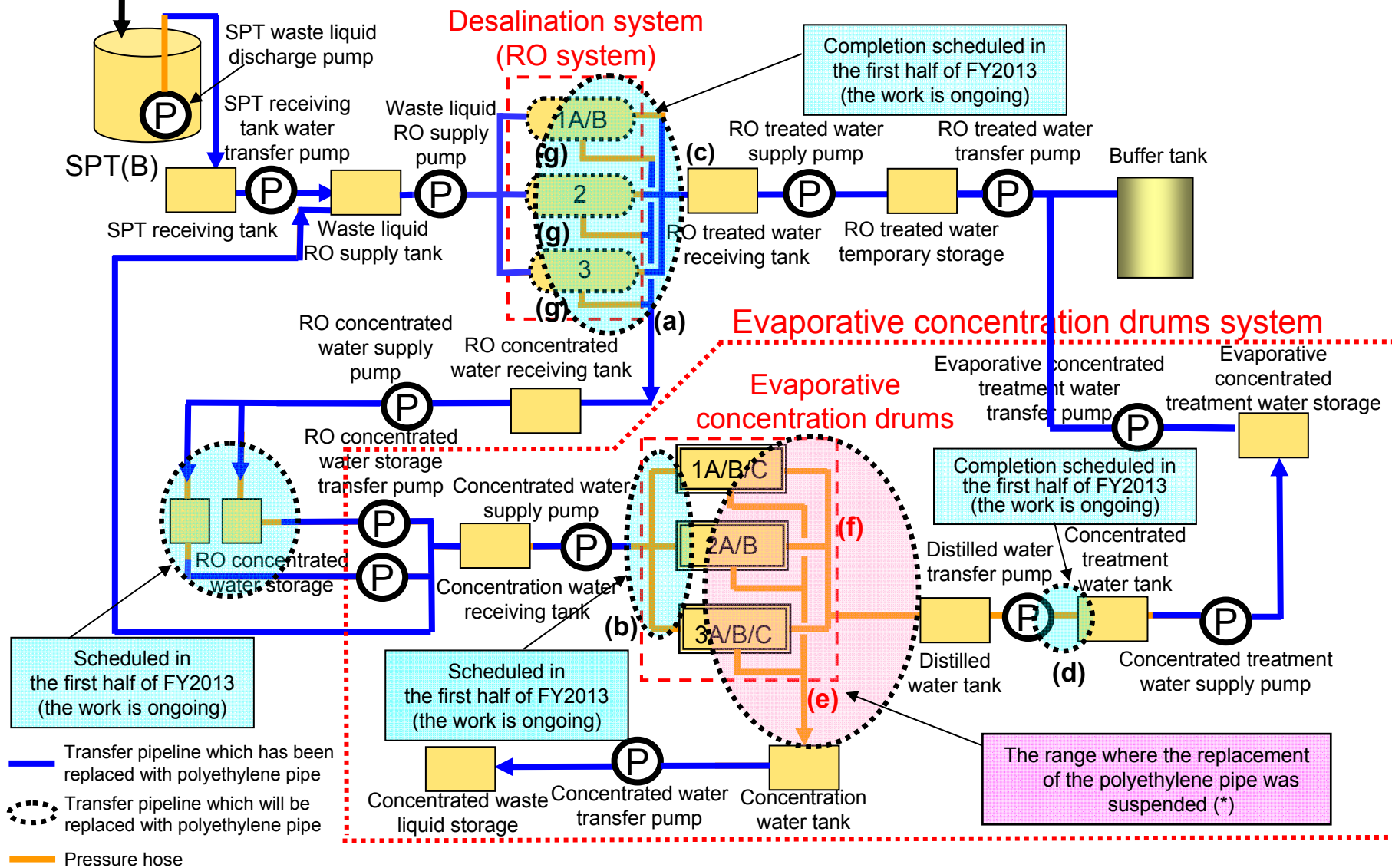


**Accumulated water transfer pipeline (replaced with polyethylene pipe) between the on-site bunker building and the Process Main Building**

- Transfer pipeline which has been replaced with polyethylene pipe
- Transfer pipeline which has been replaced with polyethylene pipe this time

# (Reference) Adoption of Polyethylene Pipes for the Desalination System

From the decontamination system



(\*) Plan to replace the pipeline with polyethylene pipe was suspended at the transfer line between the evaporative concentrated apparatus to the concentrated water tank and the distilled water tank, since structure of the pressure hose used in the line is different from the pressure hose where the leakage was found previously (hose will not come out).