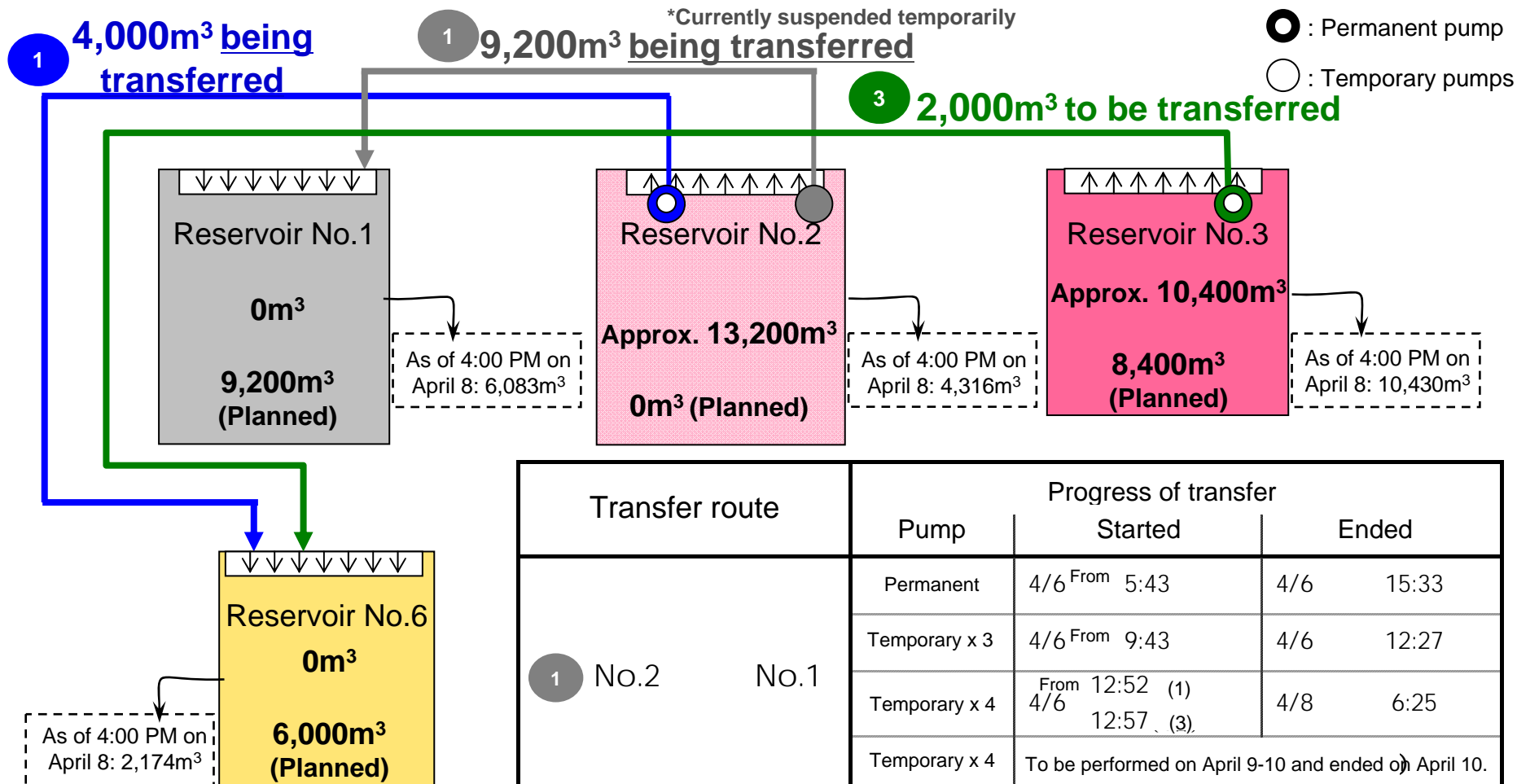


Progress Status of Transferring the Water Stored in the Underground Reservoirs (As of 4:00 PM on April 8)



Transfer route	Pump	Progress of transfer	
		Started	Ended
① No.2 → No.1	Permanent	4/6 From 5:43	4/6 15:33
	Temporary x 3	4/6 From 9:43	4/6 12:27
	Temporary x 4	From 12:52 (1) 4/6 12:57 (3)	4/8 6:25
	Temporary x 4	To be performed on April 9-10 and ended on April 10.	
② No.2 → No.6	Permanent	4/6 From 16:10	(To be ended on April 10)
③ No.3 → No.6	To be started on April 10 and ended on April 12.		