

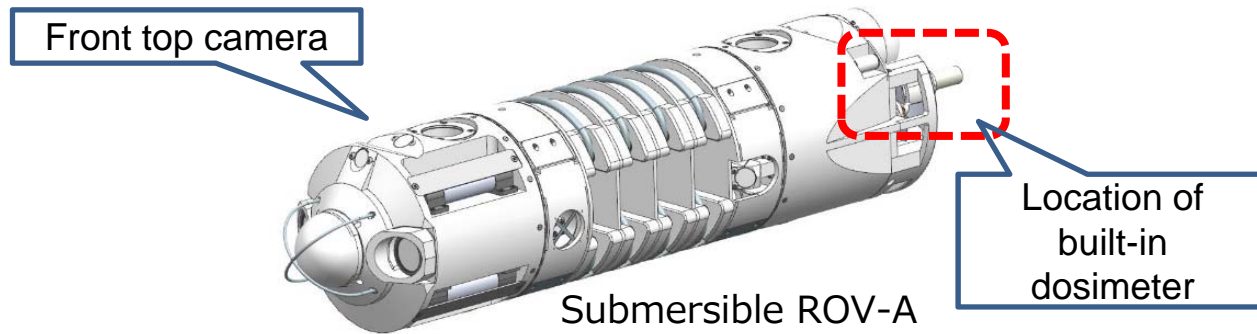
Status of the Fukushima Daiichi Nuclear Power Station Unit 1 Primary Containment Vessel Internal Investigation (Preliminary report)

- At 12PM today (January 12), the power to investigation equipment, such as remote operations computers, monitoring displays, submersible ROV and cable drums, etc., was turned on as part of preparations in the remote operations room and in the field for the internal investigation of the Unit 1 primary containment vessel (hereinafter referred to as, "PCV")

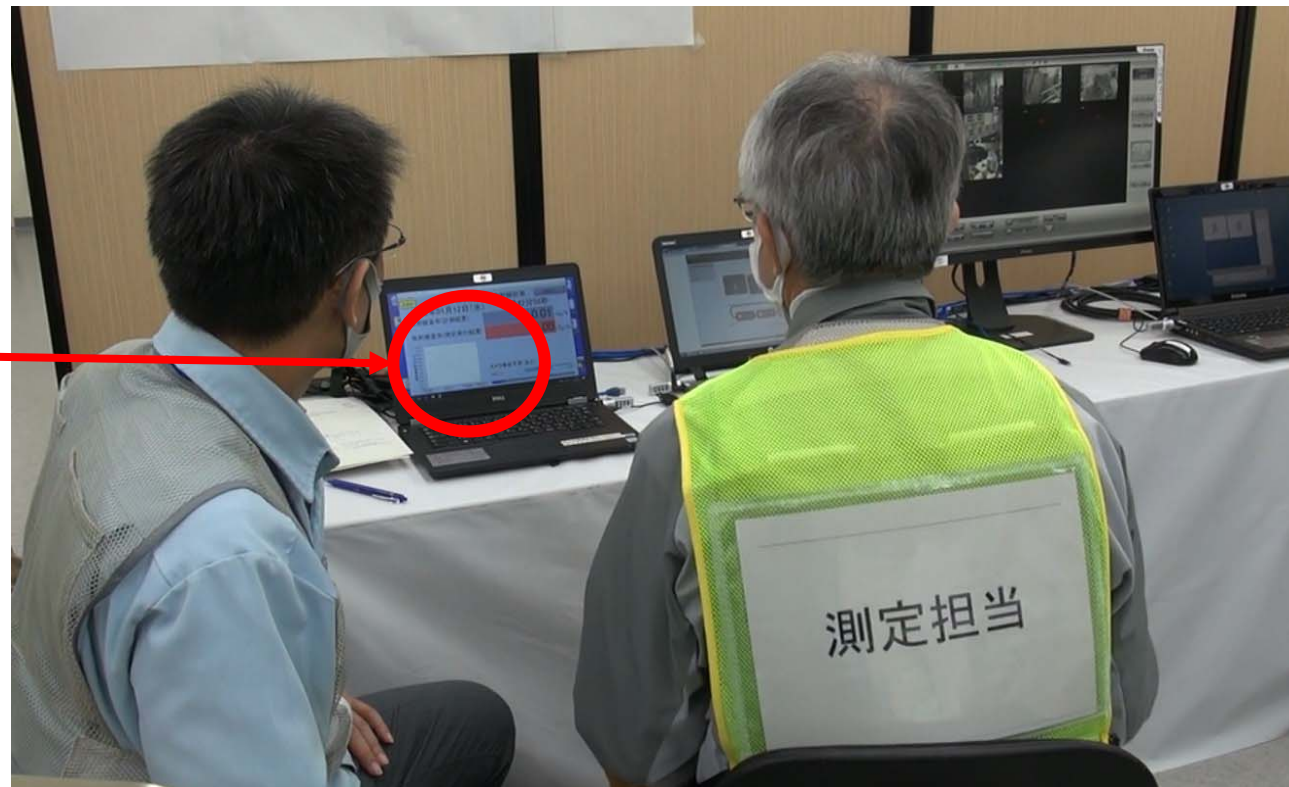
- When the power to cable drums was turned on in the course of these preparations, the following phenomena were observed.
 - Dose data built-in to the submersible ROV did not display correctly
 - The timestamp (which is supposed to display the current time) on one of the monitors (display) for the six cameras built into the ROV was blinking and the time had stopped

- If the investigation is continued while the dose data built into the submersible ROV is not displaying accurately, there is a chance that the submersible ROV will not be able to accurately measure the dose it is exposed to, so the decision was made to temporarily suspend the investigation.

- We are currently in the process of ascertaining the causes of these phenomena and deliberating countermeasures. After we have implemented countermeasures we shall recommence the investigation while prioritizing safety.



When the cable drum power was turned on, dose data built into the submersible ROV did not display correctly



Investigation preparations being done in the remote operations room

When the cable drum power was turned on, the timestamp for the aforementioned camera display was blinking and the time had stopped



Investigation preparations being done in the remote operations room₃